



US006821197B2

(12) **United States Patent**  
**Shefet et al.**

(10) **Patent No.:** **US 6,821,197 B2**  
(45) **Date of Patent:** **Nov. 23, 2004**

(54) **AUTOMATED LOADING DEVICES AND ASSOCIATED METHODS USED TO STRADDLE LOAD ELONGATED PRODUCT ONTO A RECEIVING MEMBER**

(75) Inventors: **Sarid M. Shefet**, Cary, NC (US); **John Michael Phillips**, State Road, NC (US); **Frank Michael Horvath, Jr.**, Harmony, NC (US); **Lawrence Alan Chandler**, Raleigh, NC (US); **Richard Rodeheaver Hawkins**, Raleigh, NC (US)

(73) Assignee: **ConAgra Foods, Inc.**, Edina, MN (US)

(\* ) Notice: Subject to any disclaimer, the term of this patent is extended or adjusted under 35 U.S.C. 154(b) by 11 days.

(21) Appl. No.: **10/389,442**

(22) Filed: **Mar. 17, 2003**

(65) **Prior Publication Data**

US 2003/0171087 A1 Sep. 11, 2003

**Related U.S. Application Data**

(62) Division of application No. 10/171,865, filed on Jun. 13, 2002.

(60) Provisional application No. 60/370,874, filed on Apr. 8, 2002, and provisional application No. 60/362,375, filed on Mar. 7, 2002.

(51) **Int. Cl.<sup>7</sup>** ..... **A22B 1/00**

(52) **U.S. Cl.** ..... **452/185**

(58) **Field of Search** ..... 452/30-37, 185, 452/46, 51

(56) **References Cited**

**U.S. PATENT DOCUMENTS**

2,697,850 A 12/1954 Cross ..... 452/47  
3,022,745 A 2/1962 Roberts ..... 104/99  
4,079,666 A 3/1978 Plemons et al.

4,129,923 A 12/1978 Hoegger ..... 452/46  
4,218,003 A 8/1980 Plewa et al. .... 452/31  
4,233,709 A \* 11/1980 Smith et al. .... 452/49  
4,539,796 A \* 9/1985 Nakamura et al. .... 452/40  
4,565,282 A 1/1986 Olsson et al.  
4,582,047 A 4/1986 Williams  
4,612,684 A 9/1986 Kollross ..... 452/35  
4,644,607 A 2/1987 Sziede ..... 17/45  
4,682,385 A \* 7/1987 Kasai et al. .... 452/51  
4,761,854 A 8/1988 Schnell et al. .... 17/1 R  
4,766,645 A 8/1988 Lamartino et al.  
4,880,105 A \* 11/1989 Kasai et al. .... 198/465.4  
4,997,365 A 3/1991 Lanham  
5,049,108 A 9/1991 Staudenrausch

(List continued on next page.)

**FOREIGN PATENT DOCUMENTS**

DE 3137276 4/1983  
EP 0399582 1/1990  
FR 2088622 4/1970

**OTHER PUBLICATIONS**

Article, "Continuous Process Systems", Alkar, <http://www.alkar.com> (date unavailable; believed to be dated before Mar. 1, 2002) pp. 1-3.

(List continued on next page.)

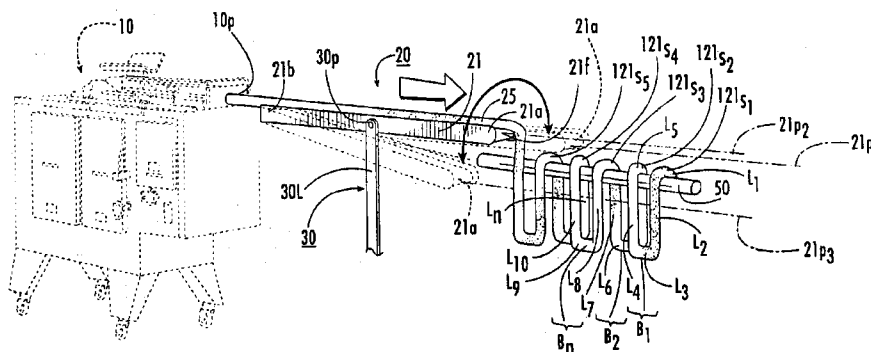
*Primary Examiner*—Thomas Price

(74) *Attorney, Agent, or Firm*—Myers Bigel Sibley & Sajovec PA

(57) **ABSTRACT**

Automated loaders are configured with winding mechanisms that load elongated products directly onto transfer members, such as sticks or rods, by causing the arm to follow a repetitive motion pattern proximate to the stick or rod to discharge the elongated product in a desired motion onto the stick or rod. Methods for discharging elongated product, such as encased meats, so that they straddle or loop directly onto the stick, bar or other desired food support are also described.

**23 Claims, 15 Drawing Sheets**



U.S. PATENT DOCUMENTS

5,078,120	A	1/1992	Hwang	
5,098,332	A	3/1992	Handel	452/46
5,183,433	A *	2/1993	Townsend et al.	452/51
5,277,301	A	1/1994	Fenty	
5,354,229	A	10/1994	Markwardt et al.	452/51
5,354,230	A	10/1994	McFarlane et al.	452/51
5,480,346	A	1/1996	Kasai et al.	
RE35,259	E	6/1996	Williams	
5,788,563	A	8/1998	Nakamura et al.	
5,830,050	A *	11/1998	Nakamura et al.	452/31
5,942,265	A	8/1999	Roberds et al.	
5,971,842	A *	10/1999	Simpson et al.	452/51
6,066,035	A	5/2000	Hergott et al.	452/31
6,071,186	A *	6/2000	Shibata et al.	452/51
6,213,368	B1	4/2001	Vermeer et al.	226/104
6,277,018	B1 *	8/2001	Cody et al.	452/51
6,290,591	B1 *	9/2001	Hergott et al.	452/51
6,468,143	B1	10/2002	White et al.	452/32
6,523,462	B1	2/2003	Johnson et al.	99/443 C
6,572,465	B2 *	6/2003	Kimura	452/51

6,592,452	B1 *	7/2003	Myers	452/51
2003/0171084	A1	9/2003	Shefet et al.	452/35
2003/0171086	A1	9/2003	Shefet et al.	452/177
2003/0190382	A1	10/2003	Shefet et al.	425/32

OTHER PUBLICATIONS

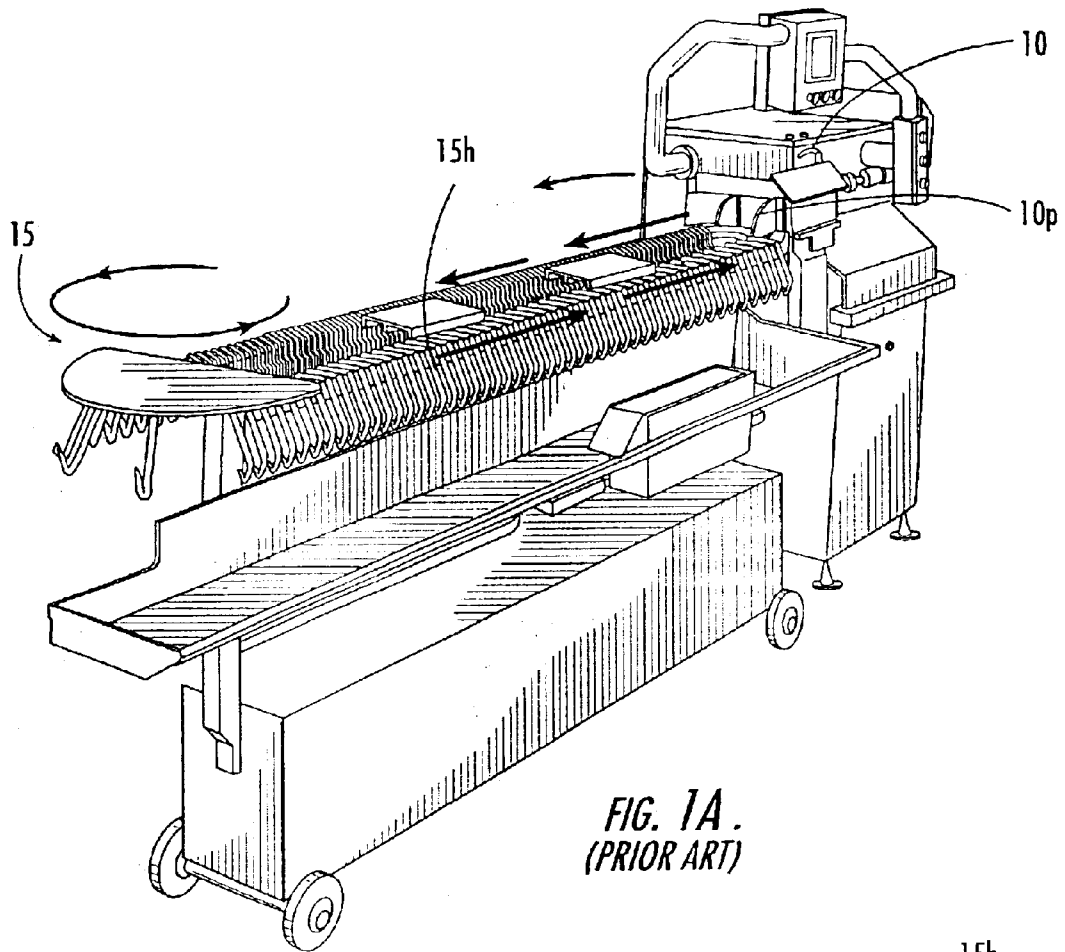
Article, "Batch Ovens", Alkar, <http://www.alkar.com> (date unavailable; believed to be dated before Mar. 1, 2002) pp. 1-3.

Brochure, "Fessmann Turbomat 7000: Industrial Smoking and Cooking", Fessman Group (date unavailable; believed to be dated before Mar. 1, 2002) pp. 1-8.

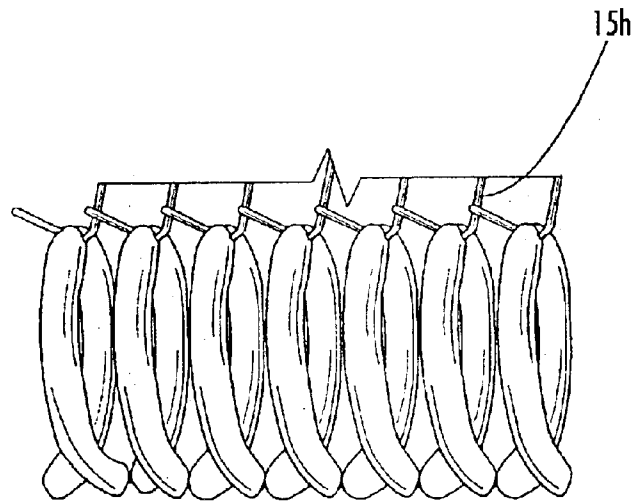
Brochure, "Fessmann Smoking Cooking Cooling", Fessman Group (date unavailable; believed to be dated before Mar. 1, 2002) pp. 1-8.

Brochure, "Fessmann Transfer 4000: Continuous Smoking, Cooking and Cooling", Fessman Group (date unavailable; believed to be dated before Mar. 1, 2002) pp. 1-9.

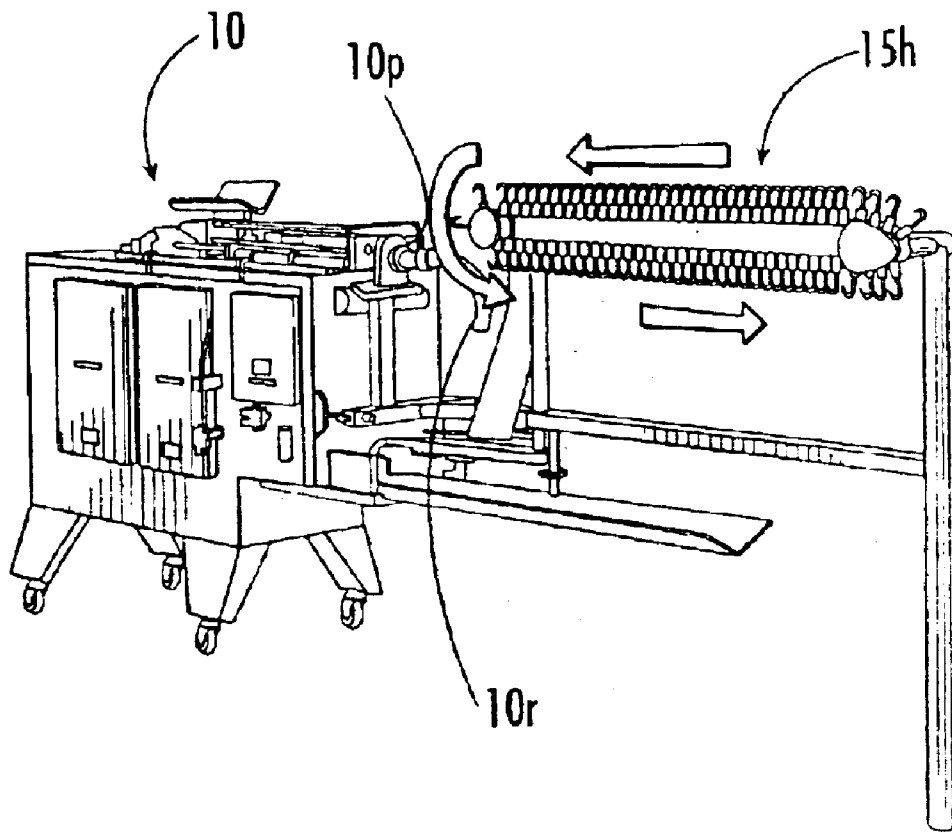
\* cited by examiner



**FIG. 1A.**  
**(PRIOR ART)**



**FIG. 1B.**  
**(PRIOR ART)**



**FIG. 1C.**  
**(PRIOR ART)**

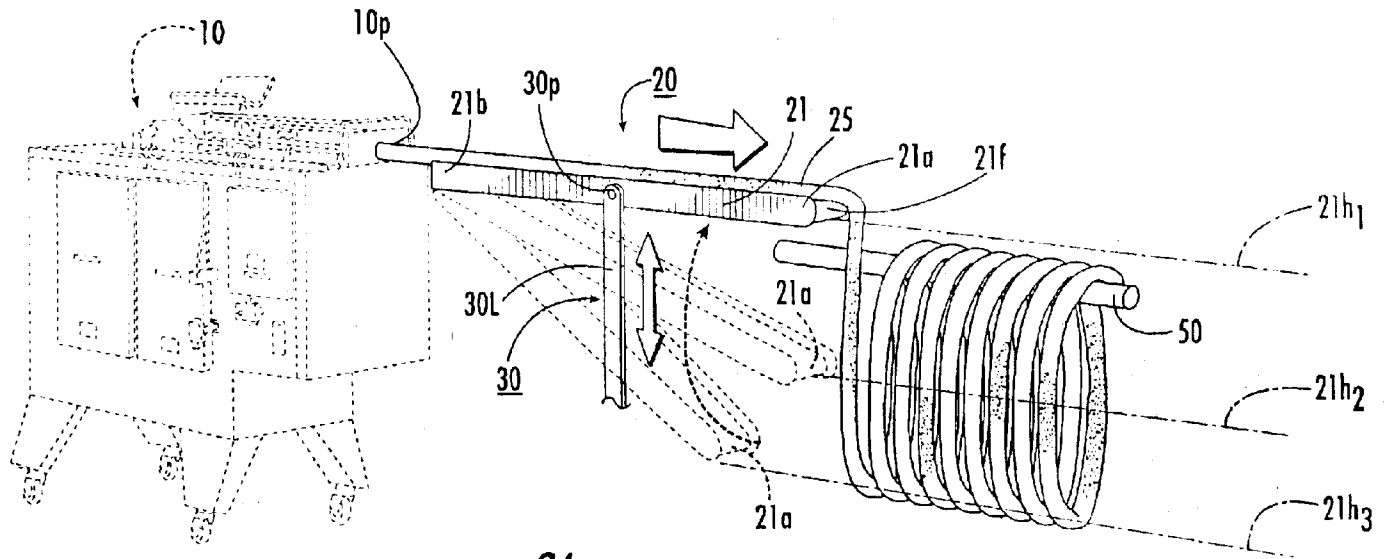


FIG. 2A.

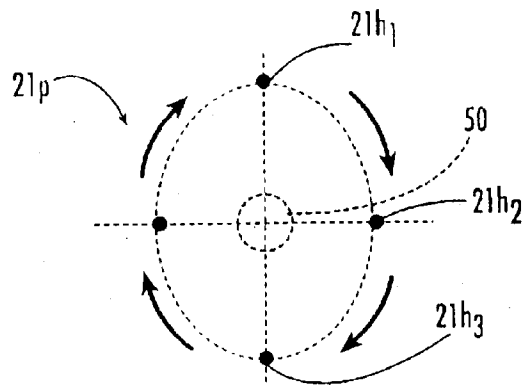


FIG. 2B.

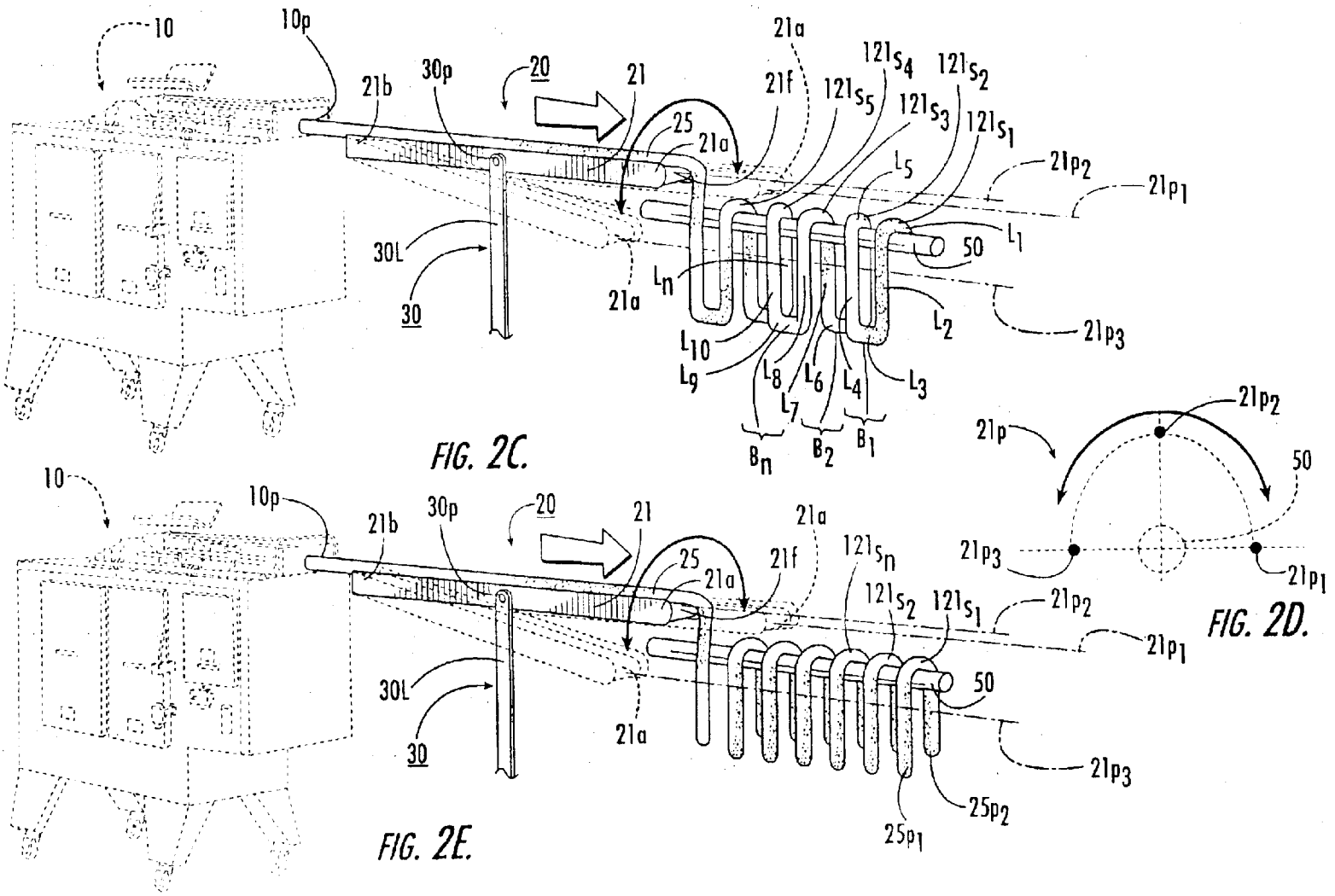


FIG. 2C.

FIG. 2D.

FIG. 2E.

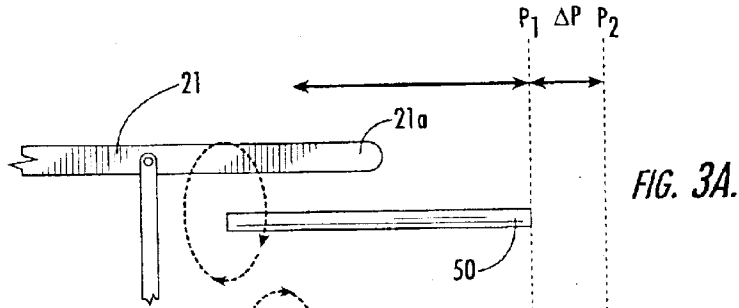


FIG. 3A.

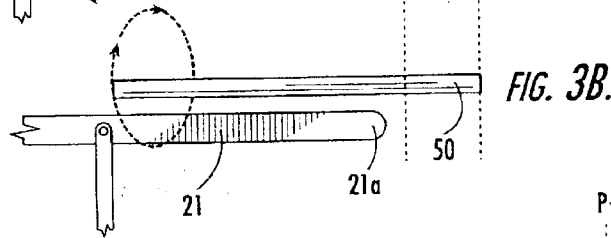


FIG. 3B.

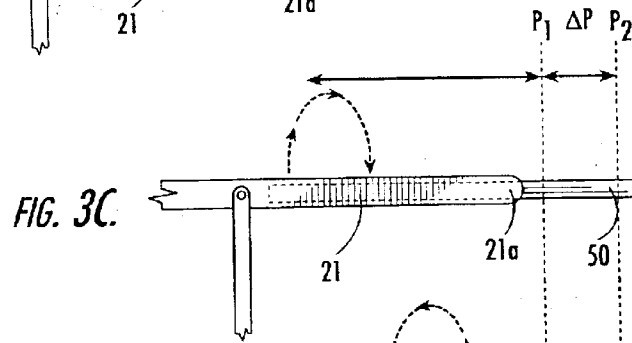


FIG. 3C.

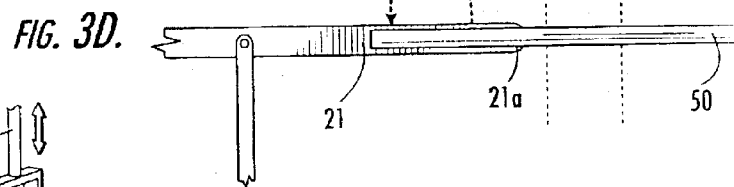


FIG. 3D.

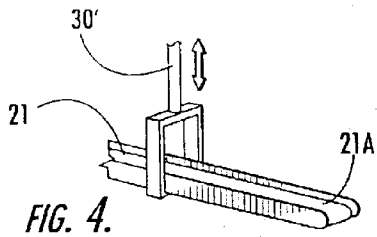


FIG. 4.

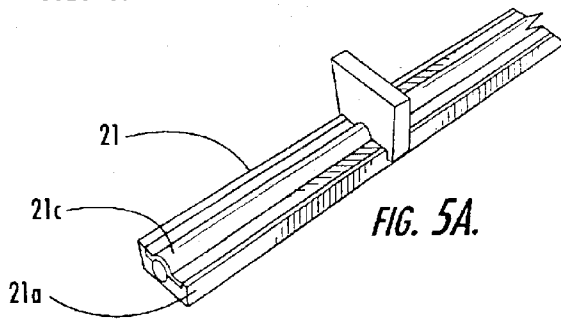


FIG. 5A.

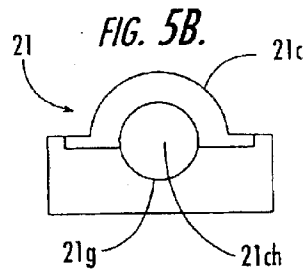


FIG. 5B.

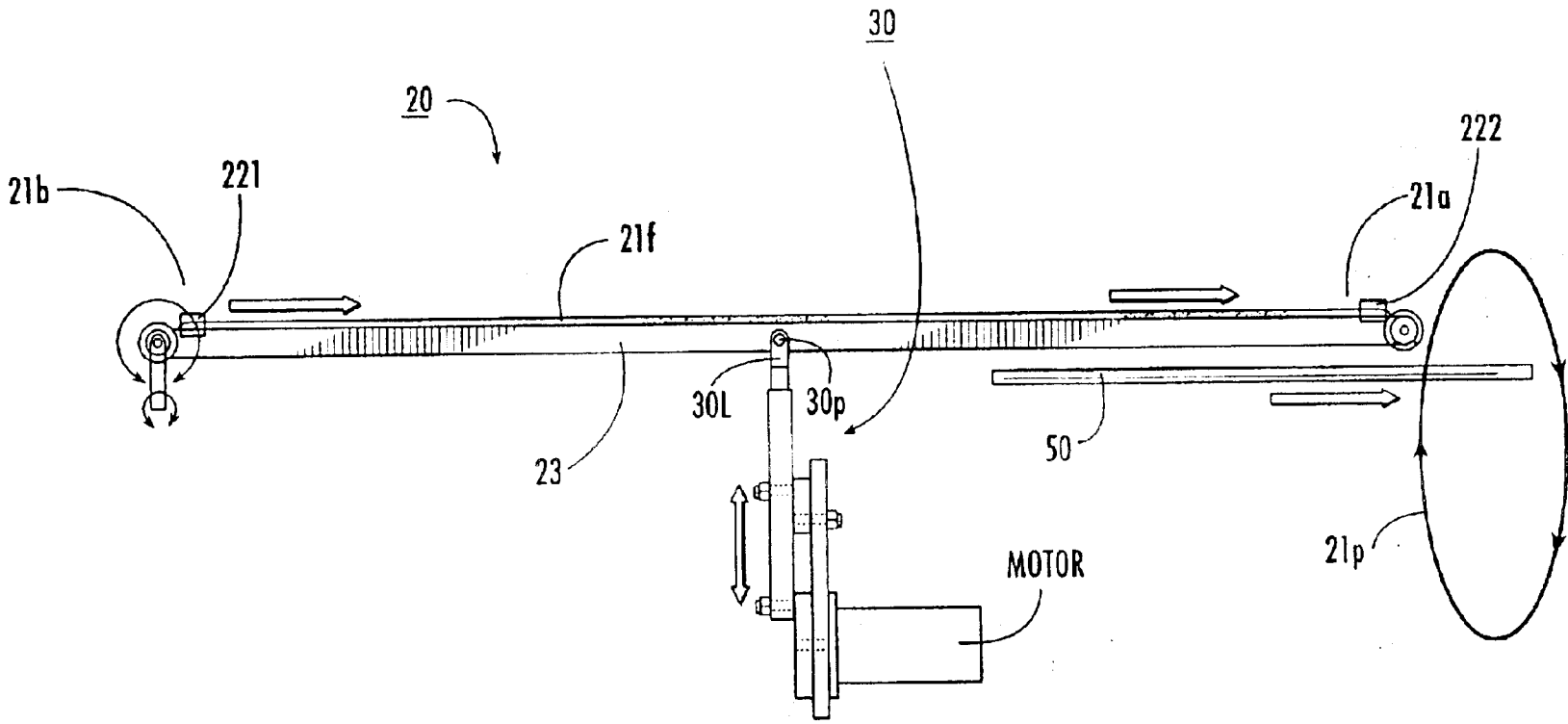


FIG. 6.



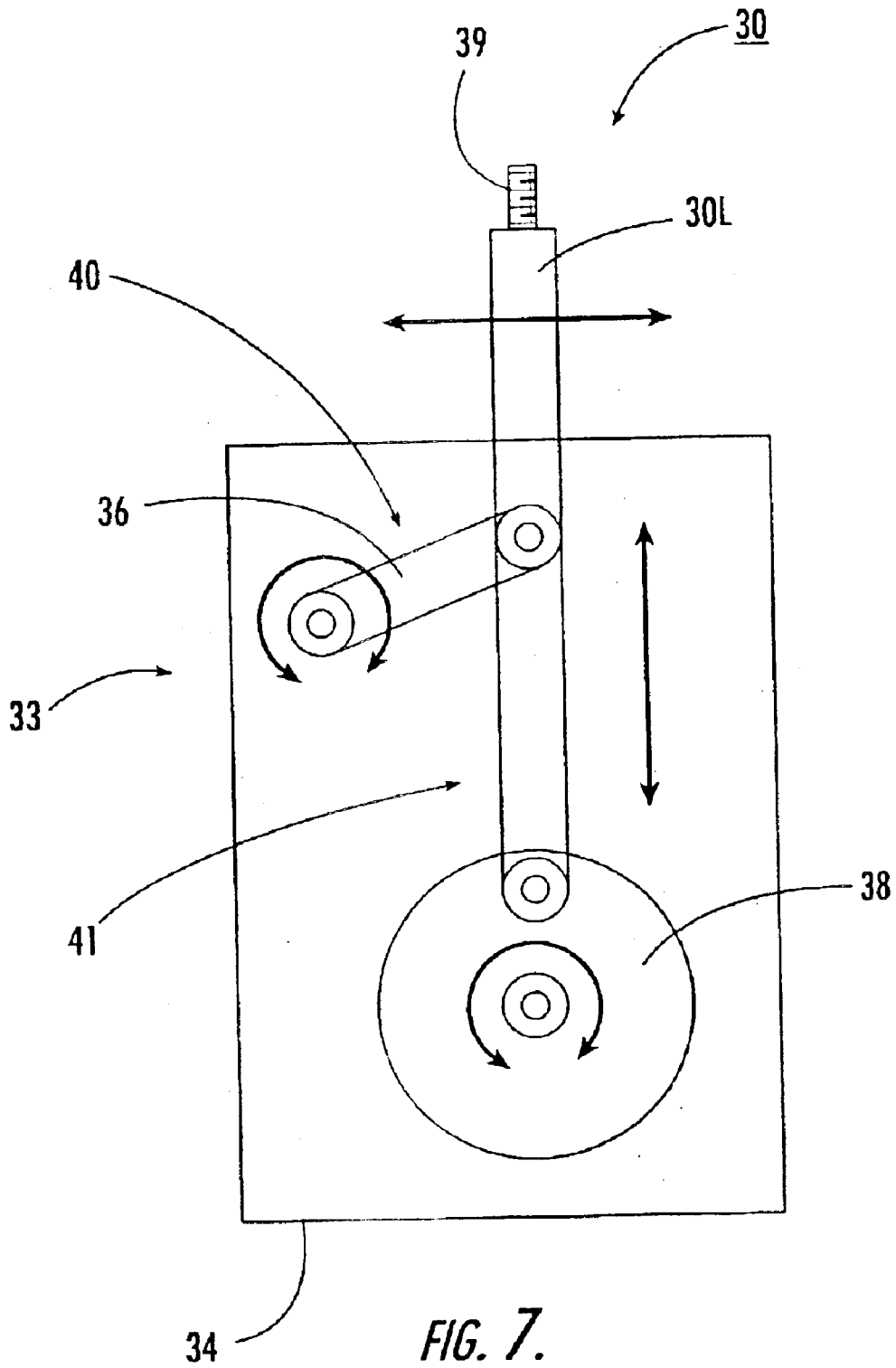
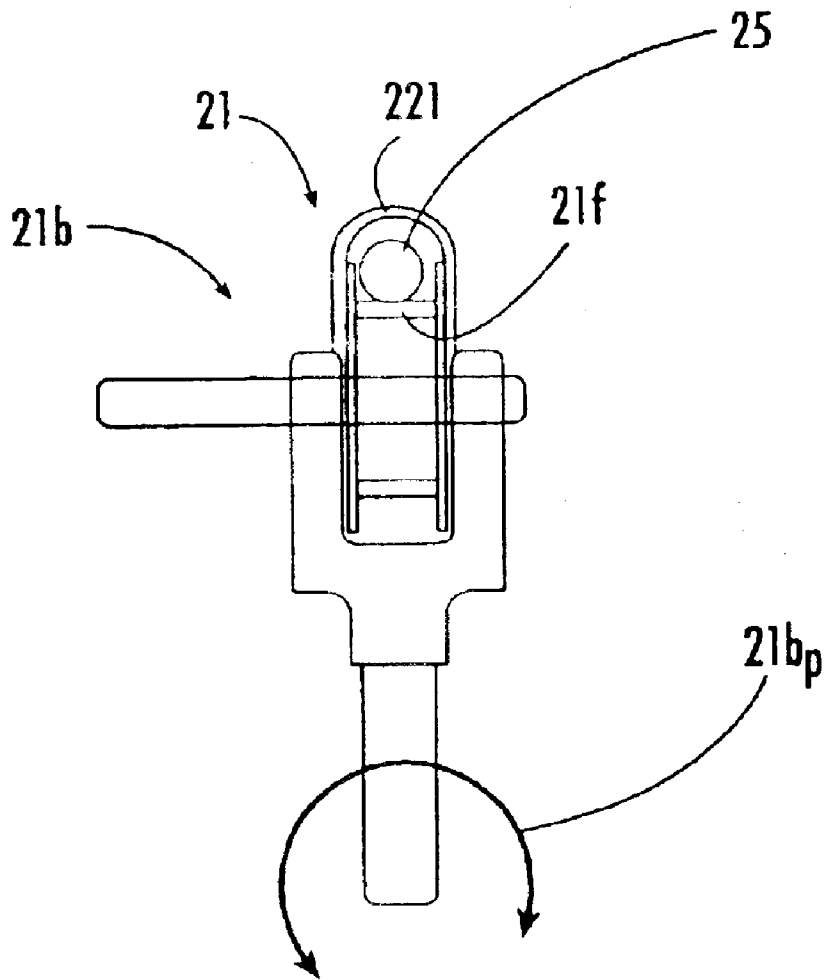


FIG. 7.



**FIG. 8.**

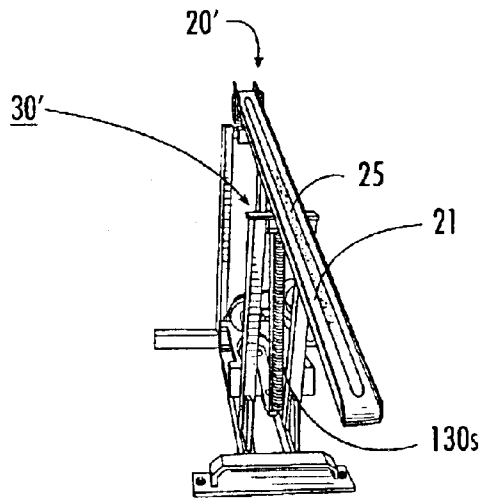


FIG. 9A.

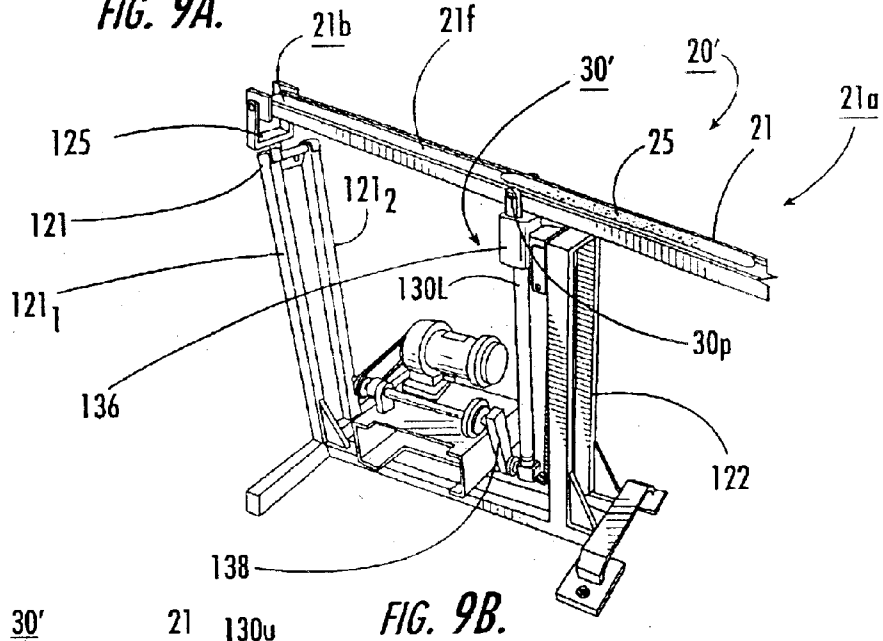


FIG. 9B.

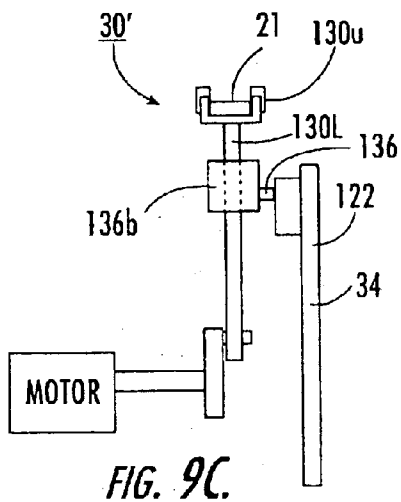


FIG. 9C.

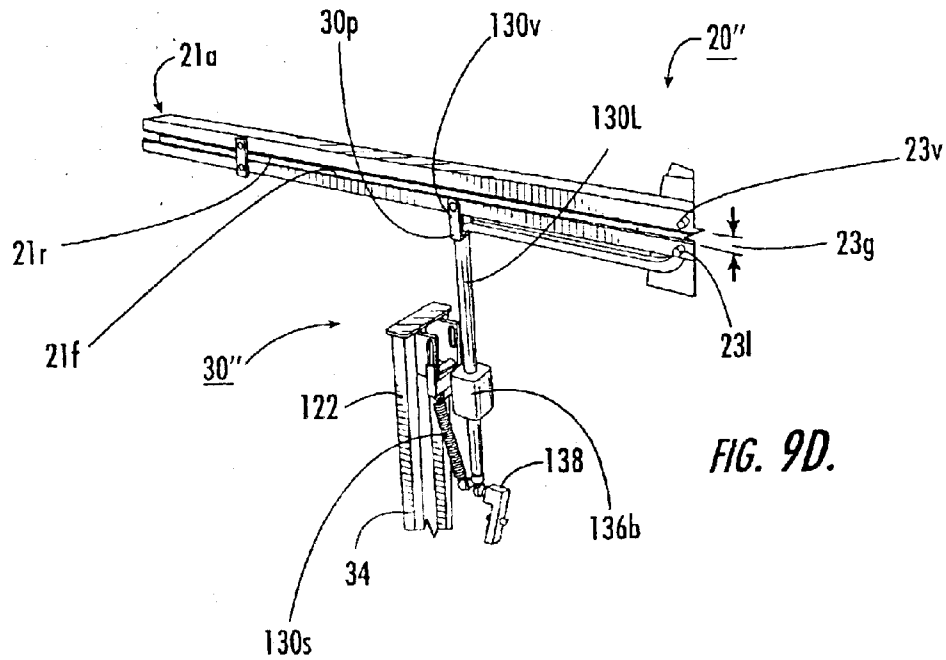


FIG. 9D.

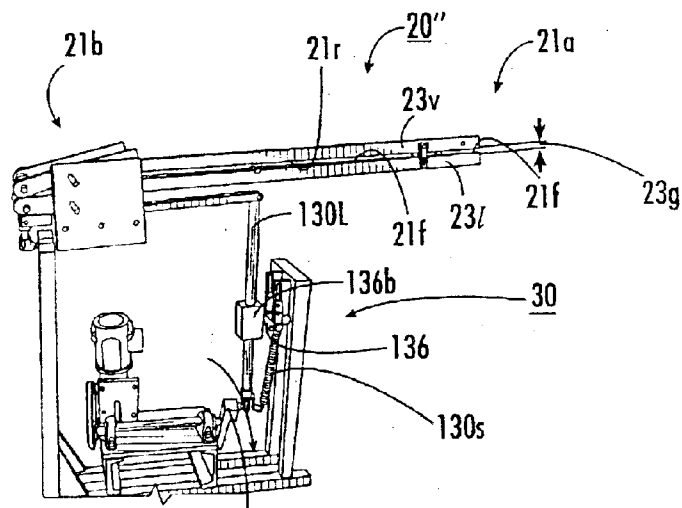


FIG. 9E.

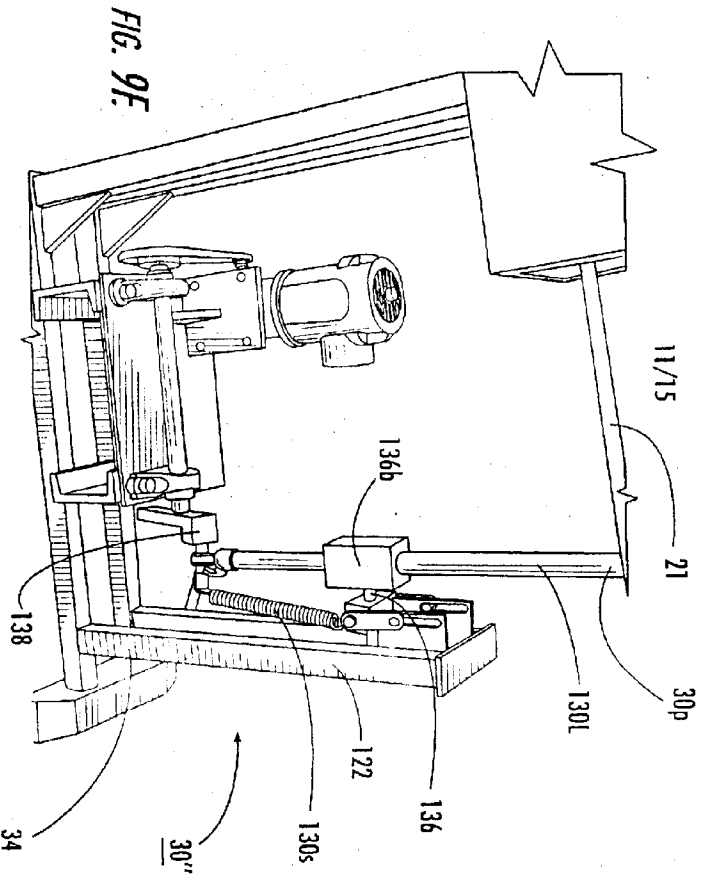


FIG. 9F.

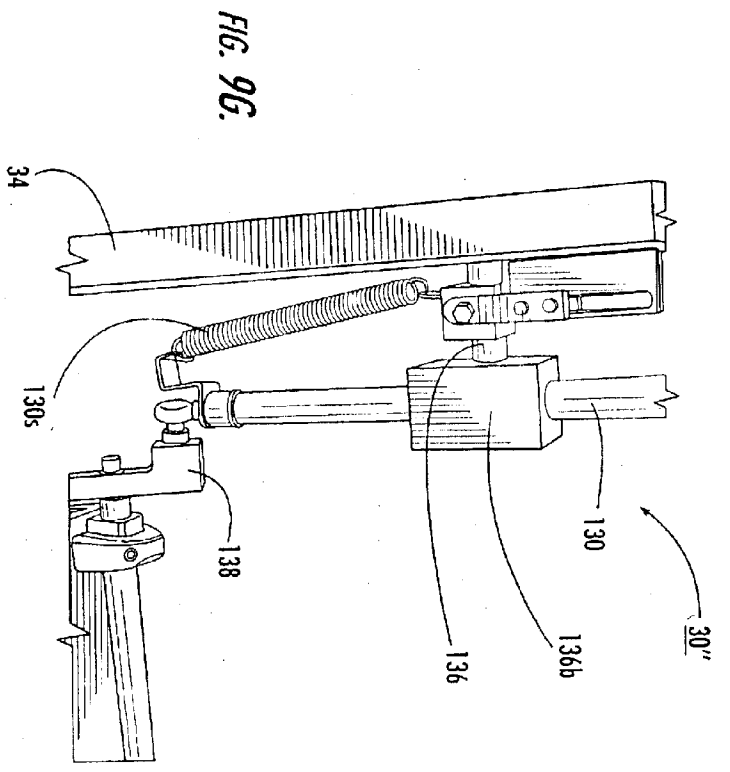


FIG. 9G.

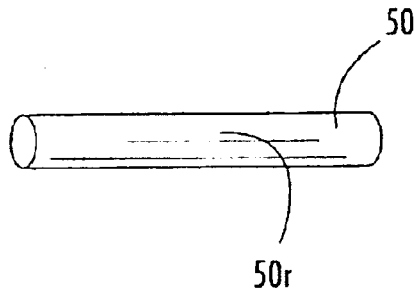


FIG. 10A.

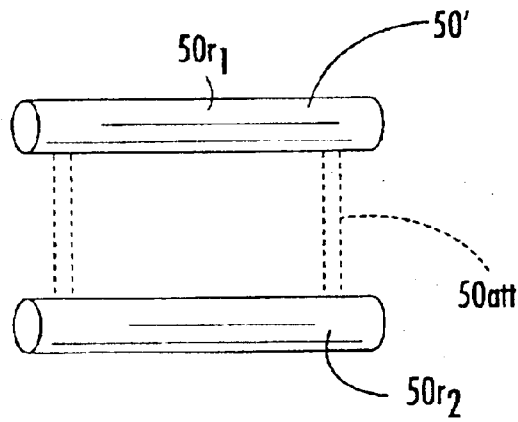


FIG. 10B.

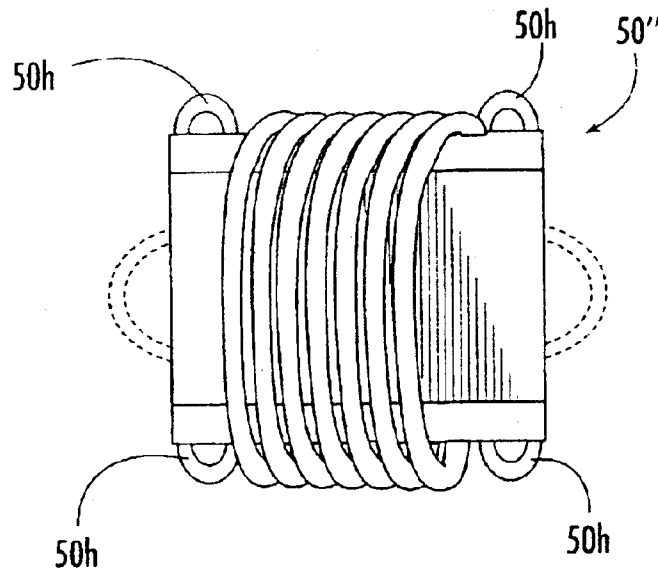
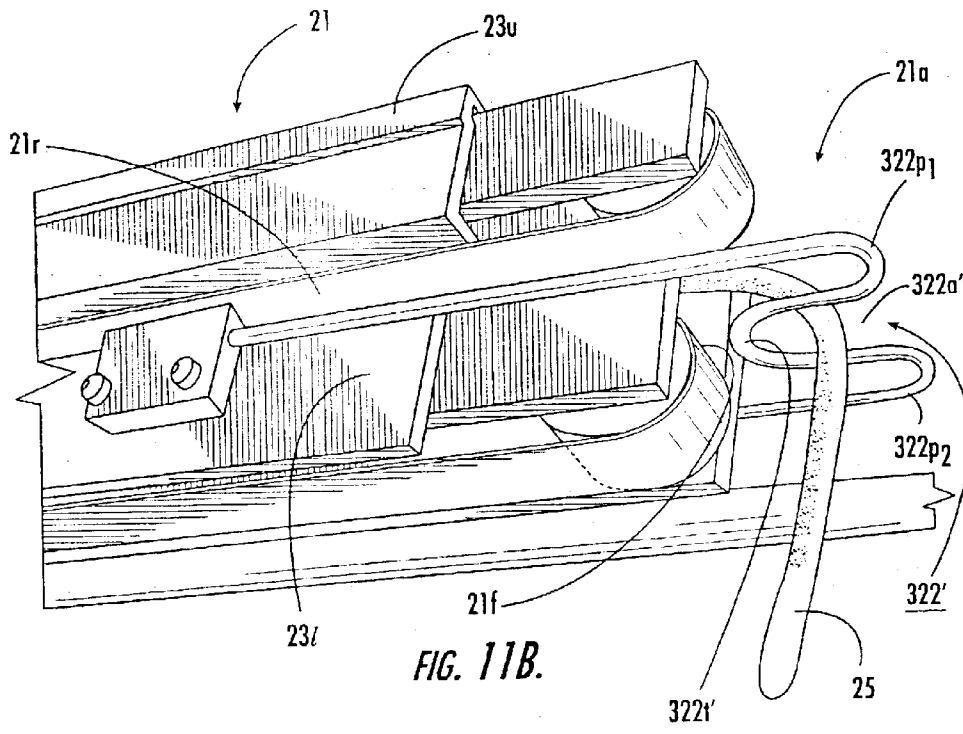
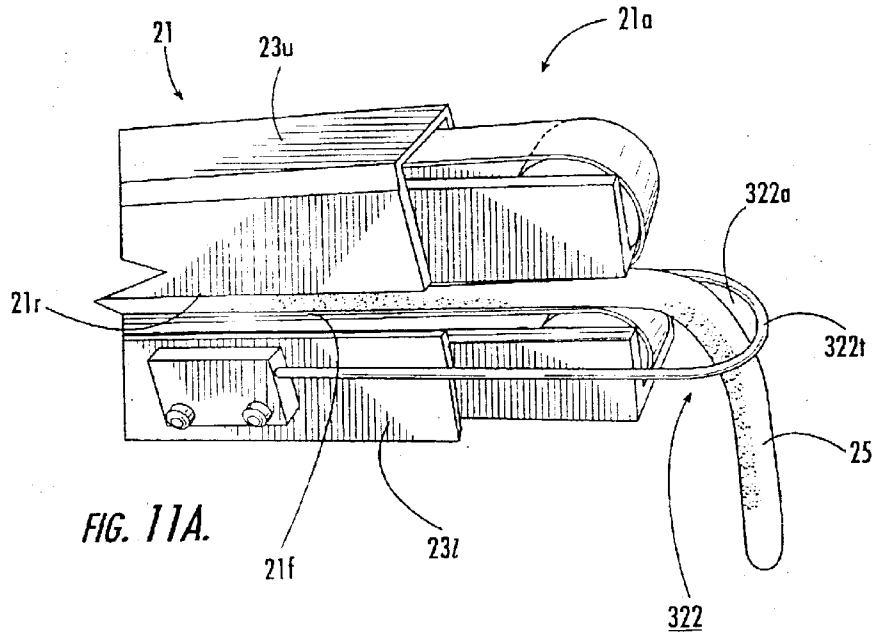
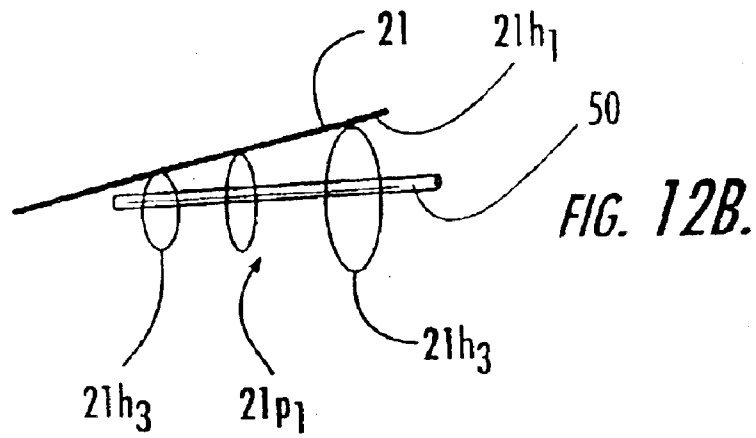
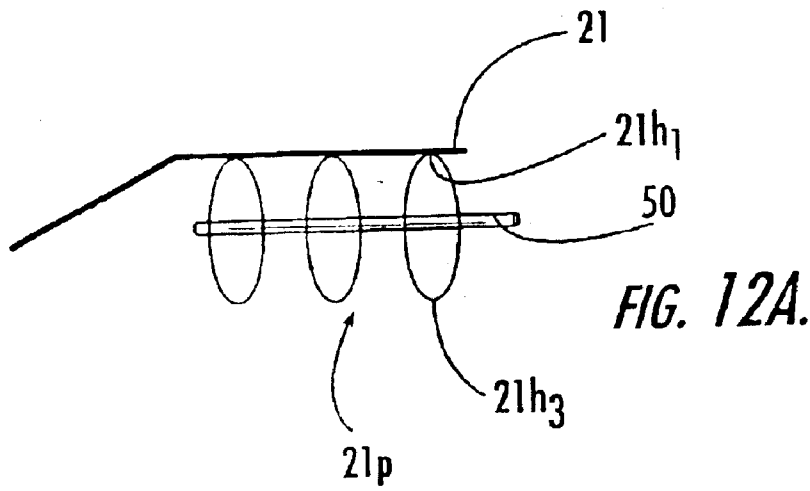
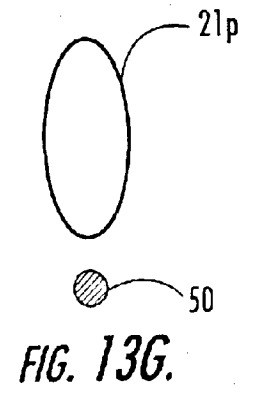
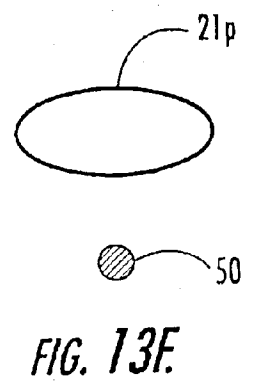
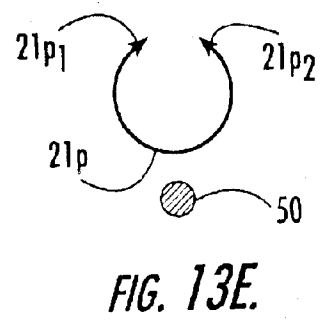
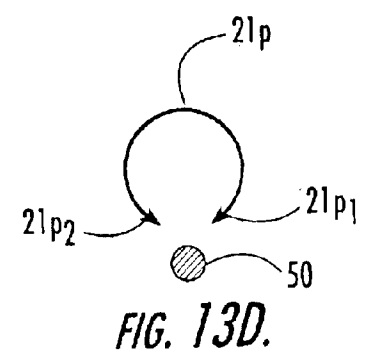
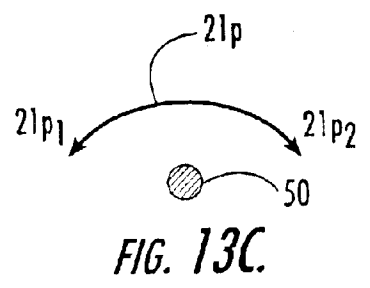
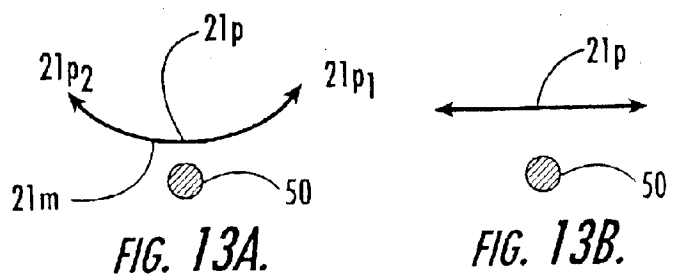


FIG. 10C.









**AUTOMATED LOADING DEVICES AND  
ASSOCIATED METHODS USED TO  
STRADDLE LOAD ELONGATED PRODUCT  
ONTO A RECEIVING MEMBER**

**RELATED APPLICATIONS**

This application is a divisional of U.S. patent application Ser. No. 10/171,865 filed Jun. 13, 2002, which claims priority from U.S. Provisional Patent Application Ser. No. 60/362,375 filed Mar. 7, 2002, and U.S. Provisional Patent Application Ser. No. 60/370,874 filed Apr. 8, 2002, the contents of the above cited documents which are hereby incorporated by reference as if recited in full herein.

**FIELD OF THE INVENTION**

The present invention relates to movement or transfer of product within processing facilities and is particularly suitable for automated loaders of lengths of products such as elongated extruded or stuffed food products in food preparation and production systems.

**BACKGROUND OF THE INVENTION**

Conventionally, extruded or stuffed food products such as pasta, dough, and meats such as hot dogs, links, or sausages, can be processed so that the desired food material is extruded or mixed and prepared, then propelled through a "stuffer machine" that includes a stuffing nozzle, extrusion machine, or co-extrusion machine. In operation, in certain food items, as the food moves through the stuffing nozzle or extrusion head, a natural or synthetic casing is disposed about and/or deposited or wrapped around the external surface of the food material to form a continuous length of encased elongated food product. To form certain products (such as hotdogs and sausages), the casing can be twisted, tied, nipped, and/or crimped at certain intervals, forming a chain-like string or strand of encased food product. Extruders and co-extruders are available from various commercial manufacturers including, but not limited to, Townsend Engineering Co., located in Des Moines, Iowa. Stuffers are available from various commercial manufacturers including, but not limited to, HITEC Food Equipment, Inc., located in Elk Grove Village, Ill., Townsend Engineering Co., located in Des Moines, Iowa, Robert Reiser & Co., Inc., located in Canton, Mass., and Handtmann, Inc., located in Buffalo Grove, Ill. Exemplary stuffer and/or linker apparatus are also described in U.S. Pat. Nos. 5,788,563; 5,480,346; 5,049,108; and 4,766,645. The contents of these patents are hereby incorporated by reference as if recited in full herein.

After stuffing or extruding, the encased elongated food product is expelled from the stuffer or extruder via a material discharging exit port. FIG. 1A illustrates a conventional stuffer **10** and stuffer material discharge port **10p**. The stuffer discharge port **10p** is positioned proximate a "linker" or looping and transferring device **15** (FIG. 1B) that rotates an endless chain of hooks **15h** about the discharge port **10p**. Generally described, the material discharge port **10p** is configured so that, during operation, the product is expelled and directed so that the traveling hooks, which serially travel to be adjacent the discharge port **10p**, catch a portion of the length of the product, with the result that the product forms loops on the hooks at certain intervals. More specifically, certain devices are configured so that the hooks **15h** travel to the discharge port **10p** and the discharge port **10p** discharges into a downwardly inclined channel that directs the elongated food downward and, as the hooks turn to face the discharged food, the hooks sequentially individually reach

out to grasp the product at certain intervals. Other devices propel the encased product onto hooks that rotate thereabout (typically under) to catch the product at certain intervals to transfer the encased material onto the transfer device. The hooks **15h** then suspend the product in a looped configuration (hanging in a vertical orientation) as shown in FIG. 1B, with each hook **15h** supporting a single loop of product.

FIG. 1C illustrates a slightly different prior art stuffer **10** and associated linker **15** with hooks that are oriented to rotate in a different plane from that shown in FIG. 1A (i.e., a vertical plane rather than a horizontal plane). In addition, in this prior art stuffer/linker, the discharge port **10p** terminates into a short expanse of tubing that forms a rotating discharge nozzle **10r**. The rotating nozzle **10r**, again, propels the extruded encased product onto the hooks **15h**.

After the product is suspended on the hooks **15h**, a rod or stick is typically manually inserted through the suspended looped product above the hooks and below the upper looped portion of the food, and the product is manually lifted up and off the hooks **15h** and transferred to a trolley, oven, or other food processing station.

In view of the foregoing, there is a need to provide automated processing systems that can improve the production process to facilitate the loading of food receiving members such as sticks and/or reduce the need for manual labor to load sticks and/or that can more controllably transfer strands of elongated items in an automated manner.

**SUMMARY OF THE INVENTION**

The present invention provides an automated winder system, methods, and devices that can automate the loading of extruded or stuffed product onto a transfer support member such as a stick loader. The automated winders can be configured to remove the need for a hook-based continuous looping system, and/or manual insertion of rods to lift the looped product onto the rods, from the production process. Indeed, in particular embodiments, the automated winder can load the elongated product directly onto a stick or desired support transfer member that can then be used to transfer the product to (and/or through) the next processing station (such as a smoker, oven, curer or the like).

In certain embodiments, the automated winder is configured with an arm that extends a distance away from the discharge port. The arm is configured to repetitively translate a vertical distance so as to travel above and below a suitably aligned transfer member. The arm may be configured to move up and down and/or to rotate in a substantially circular, oval, elliptical, or other desired motion. Typically the generated motion in a path that has two different directions of travel, such as a motion that includes both x and y axis directional components. The transfer member may be configured to (linearly) translate as the arm translates (moved either forward or backward toward or away from the stuffer discharge port) so that the automated winder can load, straddle-wrap or loop, the released product starting at one end portion of the transfer member and terminating at the opposing end portion so that substantially the entire length (or a desired length) of the transfer member is covered with a continuous length of straddled and/or looped product.

Certain embodiments of the present invention are directed towards methods for loading a carrier member with suspended elongated product. The method includes suspending an elongated product over a carrier member in a straddled configuration in which sections of elongated product form bights draped from the carrier member, with serially con-

secutive bights having a plurality of bends, being draped on opposing sides of the carrier member. In other embodiments, a plurality of discrete segments are straddled and suspended over the carrier member.

In certain embodiments, the system of operations or methods can include: (a) receiving a continuous length of at least one elongated product onto an elongated arm, the elongated arm having opposing receiving and releasing end portions; (b) moving the elongated arm to cause it to travel repetitively along a first desired path; (c) directing the at least one elongated product to travel forward a desired distance over the elongated arm during the moving step; (d) positioning a transfer support member having an associated length in alignment with the elongated arm; then (e) translating the transfer support member along a second desired path that so that the transfer support member travels adjacent the first path as the at least one elongated product is released from the releasing end portion of the elongated arm; and (e) suspending at least one continuous length of released elongated product on the transfer support member in response to the translating step so that the elongated product is arranged in a straddled configuration with (i) a plurality of adjacently arranged non-looped lengths hanging on the same side of the transfer support member and a plurality of different adjacent non-looped lengths hanging on the opposing side of the transfer support member and/or (ii) discrete non-looped spaced apart suspended lengths so that the elongated product has a plurality of suspension contact points spaced apart about a desired length of the transfer support member.

In operation, the elongated item can be directed to travel on the arm a distance away from the discharge port, then to be released off the arm at an end portion thereof, and wrapped about the transfer member. In certain embodiments, the transfer member is a portable stick member upon, which the wrapped continuous product is suspended in a looped or non-looped straddled suspended arrangement, each length of suspended segment and/or loop having a substantially uniform length. The arm may include an enclosed or partially enclosed chute or channel configured and sized to allow the elongated item to move substantially unrestricted there-through. In other embodiments, the arm has an open face and the product is directed to travel over the arm on the open face. An external environmental housing may be placed over a desired length of the arm. The arm may include a floor that is stationary or moves, or combinations thereof. In certain embodiments, the food support floor is defined by an endless conveyor, a shuttle conveyor, or a stationary surface or combinations of same.

Certain embodiments of the present invention are directed to methods for loading, winding, or looping an elongated item onto a receiving member, such as a stick member. The method includes: (a) receiving a continuous length of an elongated product onto an elongated arm, the elongated arm having opposing receiving and releasing end portions; (b) moving the elongated arm to cause it to move in a repetitive motion; (c) directing the elongated product to travel forward a desired distance over the elongated arm during the moving step; (d) positioning a transport support member (such as, but not limited to, a stick member) in alignment with the elongated arm during the moving step; and then (e) translating the stick member toward or away from the end portion of the elongated arm as the elongated product is released from the releasing end portion of the elongated arm thereby winding the elongated product directly onto the stick member so that the elongated product is arranged in a looped configuration thereon.

Other embodiments are directed to an automated winder for an elongated product. The automated winder includes an

elongated arm having an associated length and opposing first and second end portions. In position, the first end portion is adapted to receive an elongated item thereon from an extrusion or stuffer device located upstream of the automated winder. The second end portion is configured to release the elongated item therefrom after, the item travels a desired distance over the length of the arm away from the extrusion device. The winder also includes a winding mechanism attached to the elongated arm a distance from the first end portion thereof. The winding mechanism is configured to cause the elongated arm to repetitively travel in a desired motion pattern so that, in operation, the winding mechanism causes the arm to release the elongated item in a manner that load and/or wind the elongated item about a suitably aligned transfer support member. The loading can be carried out so that the product is looped or straddled in a non-looped suspended configuration onto the transfer support member. Combinations of looped and non-looped suspended segments can also be used.

Other embodiments are directed to a loaded carrier assembly having elongated product thereon. The assembly includes a carrier member and an elongate product suspended on the carrier member in a straddled configuration so that it is draped from the carrier member. The elongated product includes sections that form bights, with serially consecutive bights being formed or located on opposite sides of the carrier member and/or (b) discrete non-looped spaced apart suspended lengths.

Still other embodiments are directed to automated winder systems. The systems can include at least one elongated transfer support member having a length and sized and configured to hold a suspended straddled non-looped (and/or looped) arrangement of an elongated product thereon and an automated winder configured to be cooperably positioned and aligned with the discharge port of an extrusion or stuffer device configured to discharge elongated product therefrom. The automated winder includes an elongated arm having an associated length that may be longer than the length of the transfer support member. The elongated arm having opposing first and second end portions. In position, the first end portion is adapted to receive an elongated item thereon from the extrusion or stuffer device. The second end portion is configured to release the elongated item therefrom after the item travels greater than a major portion of the length of the arm in a direction that is away from the extrusion device. The arm is positioned in spaced apart cooperating alignment with the transfer support member. The winder also includes a winding mechanism attached to the elongated arm. The winding mechanism is configured to cause the elongated arm to repetitively travel in a desired motion so that, in operation, the winding mechanism causes the elongated product to load or wind about the transfer support member as it is released from the second end portion of the arm.

In certain embodiments, the winding mechanism, in operation, causes the elongated product to straddle the transfer support member in a non-looped arrangement as it is released from the second end portion of the arm.

In particular embodiments, the transfer support member is linearly translated away from the extrusion or stuffer device during operation so as to receive the loaded and/or wound product over a desired length of the support member. The wound product may be arranged in substantially uniform non-looped straddled lengths and/or looped lengths so as to hang suspended from the transfer support member. The system may be arranged so that over a desired time period, the winder is substantially continuously operated to load a plurality of transfer support members that are serially

5

aligned with the arm for a desired interval of time so as to successively transfer and wind elongated product thereon. Further, in certain embodiments, the transfer support member is a stick or rod that can be used to support the elongated product at the next active workstation that may be an oven, a smoker, a curer, or other food preparation/processing station.

These and other objects and aspects of the present invention are explained in detail in the specification set forth below.

#### BRIEF DESCRIPTION OF THE DRAWINGS

FIG. 1A is a perspective view of a prior art extruded food stuffer and associated linker or transferring and looping device.

FIG. 1B is an enlarged view of the looping hooks of the device shown in FIG. 1A showing an elongated extruded encased food product suspended thereon.

FIG. 1C is a perspective view of another prior art stuffer and linker.

FIG. 2A is a side view of a portion of an automated winder according to embodiments of the present invention.

FIG. 2B is a schematic illustration of an exemplary motion pattern of the arm of the automated winder of FIG. 2A according to embodiments of the present invention.

FIG. 2C is a side view of a portion of an automated winder similar to that shown in FIG. 2A illustrating a different winding pattern according to embodiments of the present invention.

FIG. 2D is a schematic illustration of an exemplary motion pattern of the arm of the automated winder of FIG. 2C according to embodiments of the present invention.

FIG. 2E is a side view of a portion of an automated winder similar to that shown in FIGS. 2A and 2C illustrating yet another different winding pattern according to embodiments of the present invention.

FIG. 3A is a schematic illustration of a portion of the automated winder illustrated in FIG. 2A showing the winder arm above the loading stick or receiving member.

FIG. 3B is a schematic illustration of a portion of the automated winder illustrated in FIG. 2A showing the winder arm below the loading stick or receiving member.

FIG. 3C is a schematic illustration of a portion of the automated winder illustrated in FIG. 2C showing the winder arm at a first position with respect to the loading stick or receiving member.

FIG. 3D is a schematic illustration of a portion of the automated winder illustrated in FIG. 2C showing the winder arm at a second position with respect to the loading stick or receiving member.

FIG. 4 is a partial perspective view of a portion of the winder arm of the winder of FIG. 2A with the winding mechanism attached above the winder arm according to embodiments of the present invention.

FIG. 5A is a top perspective view of a portion of a winder arm illustrating an enclosed chute or channel according to embodiments of the present invention.

FIG. 5B is an end view of the winder arm shown in FIG. 5A.

FIG. 6 is a side view of an automated winder system illustrating the winder attached below the winding arm according to embodiments of the present invention.

FIG. 7 is an end view of the winding mechanism shown in FIG. 6.

6

FIG. 8 is an end view of the winder arm shown in FIG. 6.

FIG. 9A is a perspective view of an alternative embodiment of an automated winder according to the present invention.

FIG. 9B is a side perspective view of the device shown in FIG. 9A.

FIG. 9C is a schematic front view of the device shown in FIG. 9A.

FIG. 9D is a side perspective view of alternative embodiment of a winder according to embodiments of the present invention.

FIG. 9E is a side perspective view of the device shown in FIG. 9D.

FIG. 9F is an enlarged side view of the winder shown in FIG. 9E with the arm partially cut away.

FIG. 9G is side view of a winding mechanism shown in FIG. 9F.

FIG. 10A is a front view of an example of a stick/rod as employed as a transfer support member suitable for loading with the automated winders of the present invention.

FIG. 10B is a front view of an alternative embodiment of a transfer support member according to the present invention.

FIG. 10C is a front view of yet another alternative embodiment of a transfer support member according to the present invention.

FIG. 11A is a side view of a discharge portion of the arm illustrating an end guide according to certain embodiments of the present invention.

FIG. 11B is a side perspective view of an alternate configuration of an end guide according to certain embodiments of the present invention.

FIG. 12A is a schematic of a winding pattern according to embodiments of the present invention.

FIG. 12B is a schematic of another winding pattern according to embodiments of the present invention.

FIGS. 13A–13G are schematic front views of illustrations of exemplary winding patterns that may be used to wrap or position product onto a receiving member according to embodiments of the present invention.

#### DESCRIPTION OF EMBODIMENTS OF THE INVENTION

The present invention will now be described more fully hereinafter with reference to the accompanying figures, in which embodiments of the invention are shown. This invention may, however, be embodied in many different forms and should not be construed as limited to the embodiments set forth herein. Like numbers refer to like elements throughout. In the figures, certain layers, components or features may be exaggerated for clarity, and broken lines illustrate optional features or operations unless specified otherwise. In addition, the sequence of operations (or steps) is not limited to the order presented in the claims unless specifically indicated otherwise.

In the description of the present invention that follows, certain terms are employed to refer to the positional relationship of certain structures relative to other structures. As used herein, the term “forward” and derivatives thereof refer to the general or primary direction that food travels as it moves inside a food processor from a processing point or region to the next processing point or region; this term is intended to be synonymous with the term “downstream,” which is often used in manufacturing environments to

indicate that certain material being acted upon is farther along in the manufacturing process than other material. Conversely, the terms “rearward” and “upstream” and derivatives thereof refer to the directions opposite, respectively, the forward and downstream directions.

The automated winders of the present invention may be particularly suitable to wind or load elongated food items from one station to a support member that can be used to transport the elongated food items to the next desired work or processing station. Elongated food items include, but are not limited to, elastic or partially elastic food items such as cheese (e.g., mozzarella strands), dough (such as for incubation), meat sticks or strands, pasta, licorice or other strands of candy, and meat products. Of course, the processing system can be configured to wind or transfer other items. For example, other elongated products include candles, ropes, string, cables, chain, wires, hose, tubing, and the like.

In certain embodiments, the present invention is used to process and/or transfer or load a length of an elongated extruded product held in a casing onto a support member. The casing can be any suitable casing (edible or inedible, natural or synthetic) such as, but not limited to, collagen, cellulose, plastic, elastomeric or polymeric casing. The elongated product can be an elongated meat product. Exemplary meat products include, but are not limited to, strands of meat (that may comprise pepperoni, poultry, and/or beef or other desired meat), processed meat products such as strand(s) or continuous lengths of meat sticks (including whole or partial meat mixtures), sausages, hotdogs, and the like. The term “continuous” is used interchangeably with “contiguous” to mean that the product is connected or joined (directly or indirectly) over its length.

The elongated product can be configured as a continuous length of product having a length of at least about 20–25 feet per strand, and typically at least about 50 feet. In other embodiments, the length of the continuous product may be up to about 150–200 feet, or even longer. The elongated product may be segmented or non-segmented, i.e., a length of chain-like linked items, or a strand or multi-stranded length of non-chain linked product. Other embodiments may load the elongated product in a series of non-looped discrete lengths. The discrete lengths may be any desired length or combinations of lengths, such as, but not limited to, lengths between about 1–20 feet.

The elongated food item may be elastic (at least in tension) so as to allow some stretching without unduly altering or deforming its desired shape and/or cross-section during processing. The elongated food item may be an extruded product that is held in a natural or synthetic casing as noted above. Other embodiments contemplate product that have rigid configurations but are movable link to link, such as chains of material having sufficient rigidity to retain its shape during processing and/or use (such as those objects formed of sufficient thickness or structure to provide a solid, semi-solid, or hollow length of material). The material may be a composite resin, metal, polymer, elastomeric and/or plastic material, combinations of the same, and the like.

In operation, in certain embodiments, the elongated product may have an exterior surface that, during the loading process, exhibits increased friction relative to a finished, cured, or dried configuration. For example, a processed meat mixture that is held in a collagen casing, prior to finishing, can be described as having a relatively gelatinous, sticky external residue that can cause the food to attempt to stick to a support surface.

Turning now to FIG. 2A, one embodiment of an automated winder 20 is shown. The automated winder 20

includes an elongated arm 21 with first and second opposing end portions 21a, 21b, respectively, and a winding mechanism 30. In this view, the winding mechanism 30 is schematically illustrated by a translation linkage 30L that is attached to the arm 21 in a manner that allows it to repetitively move the arm 21 in a desired translating motion or pattern. At the other end of the translation linkage 30L can be any number of suitable translation generation means as will be appreciated by those of skill in the art. As shown, the arm 21 directs the elongated product 25 onto a desired transport support member 50 (shown as a stick or rod). In operation, a plurality of support members 50 are serially placed in aligned cooperating position with the arm 21 of the winder 20 so that each support member 50 can be successively loaded or wound with looped elongated product 25.

In certain embodiments, the winding mechanism 30 is configured to provide a motion for the arm 21 that includes at least a substantially continuous or repeating motion (open or closed path) as indicated by the solid line arrows positioned proximate the translation linkage 30L. Additionally, the winder mechanism 30 may also be configured to translate in a more complex, multi-directional motion (as indicated by the broken-line arrows shown adjacent the solid-line arrows, the motion may also include movement that is directionally in and out of the paper “the Z axis”). Thus, as shown by the dotted line arrows adjacent the solid line arrows, the translation linkage 30L may drive the arm 21 to move in a direction which is a closed path including two different axis of travel, typically including both X and Y axis directional components. The closed path may be shaped in any desired suitable configuration, including, but not limited to, an oval, teardrop, circular, elliptical, hourglass, square, or rectangle, so as, in operation, it causes the elongate product to wrap to the desired configuration. Further the winding mechanism 30 may be programmably configured to alter its winding pattern, winding speed, and the like, depending on certain parameters such as the product being processed and/or the loading configuration desired.

By way of illustration, as shown in FIG. 2B, the arm 21 can have a maxima position at a first vertical height 21h<sub>1</sub>, two intermediate positions at a second lesser height 21h<sub>2</sub> (shown with the arm 21 in dotted line below the maxima height), and a minima position 21h<sub>3</sub> at still a lesser vertical height (shown with arm 21 at yet another lower position at a minima height). The arm 21 is configured to move a sufficient distance above and below the transport member 50 so as to load or loop the elongate product 25 thereon.

FIG. 2B illustrates but one embodiment of a rotational motion pattern 21p for the arm 21 in which the arm 21 successively moves through a closed path pattern. In certain embodiments, as shown in this figure, the pattern 21p may be substantially elliptical or oval. In this pattern, the arm 21 travels through the intermediate positions both as it is moved and/or rotated in the closed path in the downward and upward directions. In position, the transport member 50 is located within the perimeter of the enclosed closed travel path defined by the translating arm 21. In certain embodiments, the transfer member 50 can be located so that it is centrally located within the boundary of the movement of the arm. In other embodiments, the transfer member is asymmetrically positioned (such as closed to the top, bottom or one side of the arm movement). The direction of travel is shown as clockwise in FIG. 2B, but may be configured to be counterclockwise as well.

FIG. 2A shows that the first end portion 21a of the arm is positioned a length away from the discharge port 10p of the upstream processing station. As shown, the upstream pro-

cessing station can be the extruder **10** (such as the conventional extruders shown in FIGS. 1A–1C) and the second end portion **21b** of the arm is positioned proximate to, and in cooperating alignment with, a discharge port **10p** of the extruder (or stuffer) **10** or intermediately positioned member **21b** is positioned so as to receive the elongated product **25** from the upstream device and the opposing (first) end portion **21a** is configured to release the elongated product **25** after the product **25** has traveled a desired distance over the length of the arm **21**. Typically, the product **25** will travel a major portion of the length of the arm, and more typically, substantially the entire length of the arm **21** before it is released. The product **25** can be released directly from the first end portion **21a**, or a discharge nozzle or other discharge port can be attached to the arm **21** and used to dispense the product **25** therefrom.

In operation, the transfer member **50** can be configured to start at a first position that is toward the upstream end **21b** of the arm **21** and during loading is gradually retracted or translated to be closer to the downstream end **21a** of the arm **21** all at substantially the same vertical height (as shown by the horizontal arrows adjacent the transport member **50** in FIG. 2A). This motion distributes looped product over the desired length of the transport member **50**. FIGS. 3A and 3B illustrate the winding translation of the arm **21** with respect to the transport member **50**. The transport member **50** is located at a first position  $P_1$  and is gradually moved forward to a second position  $P_2$  as the arm **21** winds the product **25** thereon. Thus, the transport member **50** moves a distance  $\Delta P$ .

In certain embodiments, the transport member **50** moves at a substantially constant speed or increments of travel distance that is synchronized and/or responsive to one or more of the speed of the winding (speed of the arm), the speed of forward movement of the product **25** as it exits the arm **21**, and the desired looping arrangement/configuration (length of the loops) on the transport member **50**. In certain embodiments, the movement of the transport member **50**, the winding speed of the arm **21**, and/or the speed of the elongate product **25** as it moves off the arm, can vary to provide variable loading density or looping lengths. Thus, the movement distance and speed of movement of the transport member **50** can vary depending on the desired loading of the transport member and winding speed and loop configuration (length, etc.). Typically, the transport member **50** moves a distance that corresponds to a substantial portion of its length (i.e., greater than about 51–75% thereof). Although described as starting from a rearward position and moving forward, the transport member **50** can be configured to move in the reverse direction also.

FIG. 2C illustrates an alternate loading arrangement of the elongated product on the transport or receiving member **50** with an example of an associated winding pattern **21p** of the arm **21**. As shown, the arm **21** is configured to load the product in a suspended straddled, non-looped configuration (i.e., the product does not double over or loop to cross or close upon itself). As shown in FIG. 2C, one or more one continuous lengths of released elongated product can be loaded onto the transfer support member **50** in response to the release of the product **25** from the moving arm during the translation thereof so that the elongated product **25** is arranged in a straddled configuration with a plurality of adjacently arranged non-looped vertical lengths, such as  $L_2$ ,  $L_4$  or  $L_5$ ,  $L_7$ , hanging on the same side of the transfer support member and a plurality of different adjacent non-looped lengths, such as  $L_1$ ,  $L_2$  or  $L_4$ ,  $L_5$ , hanging on the opposing side of the transfer support member so that the elongated

product **25** has a plurality of suspension contact points **121Sn** spaced apart about a desired length of the transfer support member **50**. As used herein, the term “suspension contact points” means the discrete physical contact spaces, areas, or regions between the product **25** and the transfer support member **50**. The area or size of the contact points may vary depending on the size, weight, and/or width of the product, and/or the size and/or width of the transfer support member **50**.

Still referring to FIG. 2C, as shown, the winding mechanism **30** is configured to configure the suspended straddled arrangement of the elongated product **25** on the transfer support member **50** such that, in serial order, a first continuous length of product is arranged so that a first vertical length  $L_1$  of the elongated product extends about one side of the transfer support member **50**, a second vertical length  $L_2$  extends over the opposing second side of the transfer support member **50** after the first length  $L_1$ , a first suspension portion **121S<sub>1</sub>** is located intermediate the first and second lengths  $L_1$ ,  $L_2$ , respectively. A third adjacent length  $L_3$  laterally extends along the second side of the transfer support member **50** after the second length  $L_2$ , a fourth vertical adjacent length  $L_4$  extends along the second side of the transfer support member **50** after the third length  $L_3$ , a fifth vertical adjacent length  $L_5$  extends along the first side of the transfer support member **50** after the fourth length  $L_4$ , a second suspension portion **121S<sub>2</sub>** is located intermediate the fourth and fifth lengths  $L_4$ ,  $L_5$ , respectively, and a sixth adjacent length  $L_6$  laterally extends along the first side of the transfer support member **50** after the fifth length  $L_5$ .

In operation the arm **21** can move have lateral directional travel components so as to move back and forth across above the transfer support member **50**. In so doing, the elongated product **25** can be discharged to hang or drape from a first side of the transfer support member **50**, cross over the width of the body of the member **50** and hang or drape another vertical segment down the other opposing second side. The arm **21** continues to release the elongated food so that another vertical segment or portion hangs or drapes still on the same second side before it re-crosses over the transfer support member **50** and drapes another vertical length back on the first side of the transfer support member. The non-looped straddled product can be arranged so that the suspended vertical draped lengths are substantially the same, dissimilar, or combinations thereof. The draping motion can be continued so as to substantially fill a major portion or substantially all of the length of the transfer support member with the elongated product **25**. The lateral lengths of product (i.e.,  $L_3$ ,  $L_6$ ) can be disposed so that they are substantially horizontal as shown, or in other desired configurations. The length of the lateral segments can alter and can be controlled by the movement pattern and speed of discharge, the speed of the motion of the arm, and the movement and speed of the transfer support member **50** during the loading process or operation.

FIG. 2E illustrates that in lieu of a single continuous length of product **25**, a plurality of discrete product lengths can be straddle loaded onto the transfer support member **50**. In operation, the winding mechanism **30** causes the arm **21** to release a plurality of discrete lengths of elongated item **25** so that the items are arranged in a suspended laterally spaced apart straddled configuration, each discrete length having opposing first and second end portions **25p<sub>1</sub>**, **25p<sub>2</sub>** and an intermediate portion **121S<sub>1</sub>**, **121S<sub>2</sub>**, therebetween, respectively. In position, the first and second end portions **25p<sub>1</sub>**, **25p<sub>2</sub>**, respectively, vertically extend to reside adjacent to each other on opposing sides of the transfer support member

**50** and the respective intermediate portion **121S**<sub>1</sub> or **121S**<sub>2</sub>, defines a respective one suspension contact region that contacts the transfer support member **50**.

Referring to FIG. 2C, stated differently, certain embodiments of the suspended straddle configuration of elongated product **25** on the transfer support or carrier member **50** is provided so that sections of the elongated product form bights  $B_1, B_2 \dots B_n$  that are draped from the rod, with longitudinally consecutive or serially positioned bights, being formed and/or located on opposing sides of the carrier member. The bights are sections of the elongated product that bend or curve but do not intersect. As such, the elongated product has adjacent or serially consecutive bights, each of which can have a series of bends or curves (i.e., defined by serially consecutive vertical, longitudinal, and vertical segments) that are draped on one side of the carrier member **50** before the next bight starts across the other side of the carrier member **50**. The loaded transfer member **50** can define a loaded carrier member assembly with elongated product thereon. The product can be arranged on the carrier member so that the elongate product is suspended in a straddled configuration, draped from the carrier member, so that sections of the elongated product form bights, with serially consecutive bights being formed on opposite sides of the carrier member. Each or selected bights can have a plurality of bends or curves and the adjacent bights do not intersect or crossover each other.

FIG. 2D illustrates an exemplary loading motion **21p** of the arm **21** that can be used to provide the straddle arrangement shown in either FIG. 2C or 2E. As shown, the loading motion is an open path that has a boundary that has lateral components that permits the arm **21** to travel back and forth across the width of the transfer support member **50**. As shown, the arm **21** is disposed so that the travel path boundary primarily extends above the underlying transfer support member **50**. FIG. 2D also shows that the travel motion **21p** can be substantially arcuate with the shape defined by lowermost points **21p**<sub>1</sub>, **21p**<sub>3</sub>, and the maxima position **21p**<sub>2</sub>. In operation, the arm **21** can repetitively travel in the motion pattern shown **21p** or in other suitable motion patterns. FIGS. 13A–13G illustrate exemplary straddle loading motion patterns **21p**, some of which are open and some of which are closed travel paths.

FIGS. 13A, 13C, 13D, and 13E illustrate different open arcuate patterns **21p**. FIG. 13A illustrates that the arcuate pattern **21p** can be reversed so that it turns upward with opposing end portions **21p**<sub>1</sub>, **21p**<sub>2</sub>, that are above the transfer support member **50** and a minima location **21m** disposed therebetween. FIGS. 13G and 13F illustrate closed path motion patterns **21p** for the arm **21**. The pattern **21p** shown in FIG. 13G is above the rod and has increased vertical travel distance relative to the amount of lateral travel distance. FIG. 13F illustrates that the path **21p** may have increased horizontal or lateral travel distance relative to the amount of vertical travel distance. FIG. 13F illustrates that in certain embodiments, no matter whether an open or closed path, and notwithstanding the configuration thereof, the travel motion pattern **21p** can be offset, inclined about, and/or not centered on or over the transfer support member **50**.

FIGS. 3C and 3D illustrate the translation of the arm **21** with respect to the transport member **50** (each moving during the loading operation) that can be used to straddle load the transport member **50** with product **25** such as shown in FIGS. 2C and/or 2E. The transport member **50** is located at a first position  $P_1$  and is gradually moved forward, typically in a unidirectional manner, to a second position  $P_2$  as the arm **21** drapes or hangs the product **25** thereon. Thus,

in the portion of the loading cycle illustrated, the transport member **50** moves a distance  $\Delta P$ . The travel path of the transport member can be such that it is generally below and different from that of the arm **21**. In certain embodiments, the arm **21** travels side to side over the transport member with a constant or variable speed while the transport member **50** moves unidirectionally forward at a desired speed.

The length of the arm **21** can vary depending on various factors, such as, but not limited to, the size of the product, the forward speed of the product, the desired winding pattern and the like. In certain embodiments, the length of the arm **21** is sized to be at least the length of the transport member **50**. In other embodiments, the length of the arm **21** is such that the elongate product **25** travels at least about 2–8 feet, and typically at least about 6 feet, before being discharged therefrom onto the support member **50**.

The automated winder **20** may be configured to be self-supporting or free-standing and portable or free-standing and secured to the production floor relative to the related upstream and/or downstream equipment, as desired. In other embodiments, the second end portion **21b** of the arm can be attached to the extruder or upstream device **10** so as to be in communication with the discharge port **10p**. As such, the second end portion **21b** is stationary but can be pivotally attached to the device **10**. In certain embodiments, the second end portion **21b** is mounted so as to be able to move bi-directionally; the mounting or attachment can be configured in any suitable manner, such as, but not limited to, a universal joint, ball joint, bearing, elastomeric joint, and the like. FIG. 8 illustrates an end view of one embodiment of the arm **21** with an end portion **21b** configured to be mounted to an extruder or other upstream-positioned device. As shown, the end portion **21b** is configured to be affixed to a device **10** so that it is stationary or fixed in place but allowed to translate in a bi-directional manner in response to forces introduced by the movement of the arm **21** as it, in turn moves in response to forces introduced by the winding mechanism **30** (FIG. 6).

The arm **21** can be any desired shape or configuration. The arm **21** includes a floor **21f** that supports the elongate product **25**. The floor **21f** can be stationary or moving, or combinations thereof. For example, the floor **21f** can comprise rollers, low-friction coatings or surfaces, a conveyor belt(s), and the like. In certain embodiments, the floor **21f** is defined by an endless conveyor **23** (FIG. 6) that wraps around the arm **21** to continuously convey the product **25** forward and then return to the starting position by traveling back underneath the floor **21f**. As shown in FIG. 5B, the arm **21** can include a channel or chute **21ch** that is configured with a shape that complements the elongated product **25**. For example, for a substantially circular cross-section product **25**, the floor **21f** may include an arcuate or semi-circular channel **21ch** formed into the floor that is configured to receive a portion of the perimeter of the body of the product therein. In certain embodiments, the channel **21ch** may be sized to be slightly larger, i.e., have a sectional height and/or width that is about 0.1–10% greater, than the height and/or width of the product **25**. The channel **21ch** may be formed over all or portions of the length thereof. The elongate product **25** can be held in the channel **21ch** as it travels over the length of the arm **21**.

As shown in FIGS. 5A and 5B, the arm **21** may include a cover member **21c** that covers the floor **21f** and encloses the elongate product **25** therein. In certain embodiments, the channel **21ch** and the cover **21c** may be formed from two or more matable shell members or, alternatively from a housing or a conduit that is positioned on the arm **21** to define an

13

enclosed channel **21c**. The cover **21c** may be transparent or translucent or include viewing windows along the length thereof so that a machine or operator may view or inspect product flow at desired points (or substantially all or all of the travel path). The cover **21c** may be formed of a solid material. In other embodiments, a permeable or mesh-like cover (not shown) can be used.

Various automated detectors can be placed at desired locations along the arm to verify proper operation and to render an alert when an abnormality is indicated. Examples of such detectors include optical detectors (infrared or otherwise that respond to changes in visual intensity or generated light beams), flow meters, pressure meters, temperature sensors, and the like.

As shown in FIG. 2A, the winding mechanism **30** is configured to approach the arm **21** from the lower or bottom surface. As such, the winding mechanism **30** can be attached, directly or indirectly, to one or more of the bottom side (lower primary surface) and/or one or more sides (minor surfaces) of the arm **21**. FIG. 4 illustrates that the winding mechanism **30'** may alternatively be mounted to approach the arm from the topside. As such, the winding mechanism **30'** can be configured to suspend the arm **21** and may be attached, directly or indirectly, at the upper primary surface and/or one or more sides of the arm **21**. Still other embodiments can be configured so that the winding mechanism **30, 30'** is attached via one or more end portions **21a, 21b**, of the arm (not shown). Combinations of the attachment configurations noted above may also be used.

Referring to FIGS. 2A, 2B, and 6, the winding mechanism **30** may be attached at an intermediate position at one or more attachment locations, the attachment locations being a distance away from each of the first and second end portions **21a, 21b**. Although the winding mechanism may be attached to the arm **21** at any desired length from the respective end portions **21a, 21b**, in particular embodiments, the winding mechanism **30** is attached at a primary pivot location that is located inward of the ends of the arm, typically at a location that is inward at least about 20% of the length of the arm (away from each of the ends of the arm). The term "primary pivot location" describes the location on the arm **21** at which the winding mechanism drives the repetitive motion of the arm. It can be a single point contact, a plurality of points, or a region or regions, depending on the configuration of the winding mechanism itself. The attachment position/configuration, the length of the arm, and the weight of the arm and product may influence the amount of physical movement needed by the winding mechanism **30** to generate the desired translation at the end portion **21a** of the arm.

FIG. 6 illustrates one embodiment in which the winding mechanism **30** is attached at a primary pivot location **30p** that is approximately centrally located between each of the opposing ends of the arm **21**. That is, it is located to be within about 10% of the middle location of the arm **21**. In certain embodiments, as shown, the arm **21** may also include an initial enclosed entry port **221** (FIG. 8) that is configured to direct the elongated product to travel in its desired substantially linear travel path over the arm **21**. Similarly, the arm **21** may include an exit block member **222** that inhibits through passage of the elongated product **25** thereby facilitating the sideward (discharge) of the elongate product **25**. In other embodiments, the pivot or winding mechanism **30** can be located closer to the discharge port, i.e., proximate to or adjacent the product inlet port **21b**, this position may allow the arm **21** to be shortened (not shown).

Referring to FIG. 7, an exemplary embodiment of a winding mechanism **30** is shown. This figure is a side view

14

of the device shown in FIG. 6. In this embodiment, the winding mechanism **30** comprises a four-bar linkage **33** that is mounted on a stationary mount bracket **34**. The four bar-linkage **33** includes a pivotably mounted rotating link **36**, and a stationary mounted wheel **38**, a center linkage **30L** that is pivotably attached to both the pivotably mounted link **36** and the stationary mounted link **38**. In operation, the link **36** and the center link **30L** define a minor axis of motion control **40** while the wheel link **38** and the center link **30L** define a major axis of motion control **41**. The center linkage **30L** can include upwardly extending threads **39** that can be used to attach the winding mechanism (directly or indirectly) to the arm **21**.

The wheel **38** can be driven by a gear or shaft (not shown) to automatically turn the wheel **38** at a desired speed (constant and/or variable). Generally described, as the wheel **38** turns, the center link **30L** follows the rotation of the wheel **38**, making the center link **30L** move both laterally (indicated by the side-to-side arrows in the upper portion of the linkage) and vertically (indicated by the vertical arrows) all the while limited by the pivotably attached link **36** that limits the lateral motion of the center linkage **30L**. In this way, the winding mechanism **30** causes the arm **21** to travel through a repetitive substantially elliptical pattern **21p** as shown in FIG. 6. Of course any suitable winding mechanism can be employed, including, but not limited to, cam/follower arrangements, pistons (pneumatic or hydraulic), combinations of linkages and any of the above as well as other electromechanical configurations that can generate the desired repeated winding motion.

FIGS. 9A–9C illustrate another embodiment of a winder **20'**. As shown, the arm **21** has two spaced apart floor support mounting brackets **121, 122**, a first one **121** positioned proximate the second end portion **21b** of the arm and another second one **122** positioned upstream of the first one **121**. The first mounting bracket **121** has a junction member **125** that is pivotably mounted to two upwardly extending arms **121<sub>1</sub>, 121<sub>2</sub>**. The junction member **125** supports the arm **21** while cooperating with the winding mechanism **30** so that it allows the arm **21** to move in a multidirectional manner in response to movement of the arm as driven by the winding mechanism **30**.

FIG. 9C shows that the winding mechanism **30'** is attached to the arm **21** at a primary pivot region **30p** that is upstream of the first floor support mounting bracket **121**. The primary pivot region **30p** is at the attachment position of the winding mechanism linkage **130L** to the arm. As shown in FIG. 9C, the linkage **130L** includes a fork-like upper portion **130u** that spans the width of the arm **21** and attaches to opposing sides thereof. Similar to the embodiment shown in FIG. 7, the winding mechanism **30'** shown in FIGS. 9A–9D causes the arm to move in a substantially elliptical rotational movement pattern. In this embodiment, the winding mechanism **30'** includes a vertically elongate linkage **130L** (such as a piston or rod) that slidably moves through linkage **136** proximate the upper portion of the vertically elongate linkage **130L** and that is connected at the lower portion thereof to a rotational member **138**. As shown by the arrows located adjacent the lower rotational member **138** in FIG. 9D, in operation, the clockwise rotation of member **138** forces the vertically elongate linkage **130L** to move forward and downward and then rearward and upward relative to the arm **21**. A counterclockwise arrangement may also be used. The movement of the vertically elongate linkage **130L** is further limited or shaped by the movement of the upper linkage **136** that pivots side to side with respect to the arm **21** (indicated by the arcuate arrows proximate the upper link



15

136) as the linkage 130L slides through the block 136b that cooperates with the upper link 136. The upper link 136 is pivotably mounted to a block 136b and is mounted to the platform 122 via stationary mounting bracket 34. A spring 130s can be mounted to the platform 122 to help control and/or dampen the movement of the winding mechanism 30' and/or linkage 130L. As the linkage 130L is rotated by the lower linkage 138 it slides upwardly and downwardly through the linkage 136b that in response pivots in lateral direction relative to the arm 21 to cause the repetitive rotation cycle.

FIGS. 9D–9G illustrate an additional embodiment of the winding mechanism 20". This embodiment illustrates both a different floor or arm configuration (two overlying conveyors with an intermediate food travel path), and a variation on the winding mechanism linkage assembly. Referring to FIG. 9G, an outer perimeter portion of the rotatable link 138 is shown attached to the lower portion of the link 130L. As the link 138 rotates, the elongated link 130L is directed to travel in a multidirectional motion (up and down and sideways). In operation, the rotatable link 138 is substantially constantly rotated or driven by an electric motor. One suitable motor is a ¼ HP 480V three-phase motor having about a 1750 rpm output with a 2.2 ratio.

In addition, as shown in FIGS. 9F and 9G, the upper link 136 can be (pivotably) attached to the block 136b the link 136 can be (pivotably) attached to the platform 122 via a stationary mounting bracket 34. The spring 130s can be attached to the lower portion of the linkage 130L (proximate the connection to the rotatable link 138) on one end portion and the platform 122 (or bracket 34) at a location proximate the upper link 136 at the other end portion to help control/dampen and/or stabilize the motion generated by the winding mechanism 30".

FIGS. 9D and 9E illustrate an arm configuration that can employ two overlying aligned and vertically spaced apart surfaces that define a roof or ceiling 21r and a corresponding floor 21f. In certain embodiments, the roof 21r and/or floor 21f may be formed from one or more conveyors (shown as two spaced apart endless conveyors) 23u, 23l. The lower conveyor 23l defines the floor 21f for food or other item over the arm travel path. The two surfaces 21r, 21f that may be defined by conveyors 23u (roof), 23l (floor) can be spaced sufficiently apart so as to define a gap therebetween 23g. The gap 23g can be sized so as to allow both conveyer or primary surfaces (those facing each other) to contact the food in opposing locations in a manner that does not deform the shape of the food as it travels between the two surfaces 21f, 21r and/or conveyors 23u, 23l, but sufficiently close so as to help guide the food in the travel direction. In other embodiments, the gap 23g may be such that the roof, ceiling, or upper conveyor resides a distance above the food. The two conveyors 23u, 23l may be configured to move at the same speed. In certain embodiments, the speed of the conveyors may be operated between about 2–10 ft/sec, and in particular embodiments, at about 6.5 ft/sec linear movement. The conveyors 23u, 23l may be set to vary speed during operation and may be in communication with a variable speed or frequency controller from AC Tech. The drive motor may be configured similar to that described above for the winder mechanism 30. Although described as two endless conveyors, other configurations can also be used. For example, the floor 21f and/or roof 21r can be formed from more than one conveyor. In other embodiments, the roof can be comprised from 2 or more conveyors creating a channel configuration having a triangle or other multi-sided configuration. The floor can also com-

16

prise a plurality of conveyors also defining a multi-sided shape (such as a triangle, open square, hexagon, and the like). In addition, portions of the floor and/or ceiling may be configured as stationary components. Combinations of the above may also be used.

In other embodiments, the floor 21f of the arm 21 can be configured as a "V" or "U" shape (using a conveyor surface formed in that configuration or a plurality of conveyors spaced and oriented to define the desired shape) (not shown) to help hold the food therein as it travels along the arm. Combinations of the above may also be used.

FIGS. 10A–10C illustrate examples of particular embodiments of transfer support members 50. As shown in FIG. 10A, the food transport member 50 may be configured as rod or "stick" 50r. FIG. 10B illustrates that the food transport member 50' may be configured as a pair of separate rods or sticks 50r1, 50r2, that are vertically spaced apart and aligned. The two rods 50r1, 50r2 may be optionally attached as shown by the broken line 50att feature in FIG. 10B. In this embodiment, the winder arm 21 can be configured to travel through a winding path that has a sufficient vertical distance so as to encompass or encircle both of the rods 50r1, 50r2. FIG. 10C illustrates that the transport member 50" can include a contiguous body or a shape or configuration that extends below the upper portion as there is no longer any requirement that the transport member be inserted into hooks to remove the suspended product therefrom. The contiguous body may be solid, perforated, formed, or configured to reduce weight. Similarly, the transport member 50 may include one or more handles 50h or other externally accessible handling means disposed along the length and/or at selected end portions thereof to promote ease of handling to transport the loaded member to another active station. It will be appreciated by those of skill in the art that the present invention now allows a number of different configurations that that can act as suitable support members 50, 50', 50" and the present invention is not limited to the embodiments described herein. In addition, in operation, a plurality of transfer support members, of the same or different configurations, may be sequentially (manually or automated) serially loaded and removed by aligning them with the winder 20.

FIG. 11A illustrates that the distal end portion 21a of the arm 21 can be configured with an end guide 322 that helps to direct the movement of the food as it exits off the arm 21 during the winding operation as the arm moves in its desired winding motion pattern. In operation, the elongated item 25 (shown in broken line) travels through an aperture 322a defined by the end guide 322. The guide 322 may have an outer perimeter that is looped and defines a tongue 322t with an open center. FIG. 11B illustrates an alternate embodiment of an end guide 322'. The guide 322' includes an inwardly oriented tongue 322t' that defines the aperture 322a' and spaced apart prongs 322p1, 322p2. In this embodiment, in operation, the food 25 travels outwardly over the perimeter innermost portion of the tongue 322t. Other configurations of guides 322, 322' may also be used. The end guide 322, 322' is illustrated with the arm configuration that employs a ceiling or roof and floor 21f, 21r; however, the end guide 322, 322' is not limited thereto and may be used with any desired arm configuration. In certain embodiments, the end guide 322, 322' may be positioned proximate to and substantially vertically aligned with the floor 21f. In other embodiments, the end guide 322, 322' may be configured to extend outwardly at a vertical level that is below the floor 21f. In yet other embodiments, the end guide 322, 322' may be configured to rise above the floor 21f.

17

FIGS. 12A and 12B illustrate exemplary winding motion patterns **21p**, **21p'** contemplated by certain embodiments of the instant invention. FIG. 12A illustrates a pattern **21p** that is substantially constant over the winding of the length of the loading member **50** and that the arm **21** can be held substantially planar (horizontal) as it moves through the winding motion. FIG. 12B illustrates that a variable winding motion pattern **21p'** can be generated. As shown, the winding pattern **21p'** increases or amplifies from left to right to have greater minima and maxima height  $21h_1$ ,  $21h_3$  at various positions along the loading member (or between different loading members or products and/or can increase from left to right). FIG. 12B also illustrates that the arm **21** may be inclined during the winding operation (the arm can also be declined or operated at various times to be a combination of inclined, declined, or level. In addition, the winding pattern **21p**, **21p'** can vary in other manners (shape or pattern) along the length of winding a particular loading member **50** or vary for each or selected loading members or products.

The foregoing is illustrative of the present invention and is not to be construed as limiting thereof. Although a few exemplary embodiments of this invention have been described, those skilled in the art will readily appreciate that many modifications are possible in the exemplary embodiments without materially departing from the novel teachings and advantages of this invention. Accordingly, all such modifications are intended to be included within the scope of this invention as defined in the claims. In the claims, means-plus-function clauses, where used, are intended to cover the structures described herein as performing the recited function and not only structural equivalents but also equivalent structures. Therefore, it is to be understood that the foregoing is illustrative of the present invention and is not to be construed as limited to the specific embodiments disclosed, and that modifications to the disclosed embodiments, as well as other embodiments, are intended to be included within the scope of the appended claims. The invention is defined by the following claims, with equivalents of the claims to be included therein.

That which is claimed is:

1. A method for loading a carrier member with suspended elongated product, comprising:

automatically suspending an elongated product over an elongate carrier member in a straddled configuration, in which sections of said elongated product form bights having a plurality of non-intersecting bends draped from the carrier member, with serially consecutive bights being draped on opposing sides of the carrier member.

2. A method according to claim 1, wherein the elongated product is an elongated meat product.

3. A method for loading an elongated item onto a receiving member, comprising:

receiving a continuous length of at least one elongated product onto an elongated arm, the elongated arm having opposing receiving and releasing end portions; moving the elongated arm to cause it to travel repeatedly along a first desired path;

directing the at least one elongated product to travel forward a desired distance over the elongated arm during the moving step;

positioning a transfer support member having an associated length in cooperating alignment with the elongated arm; then

translating the transfer support member along a second desired path that so that the transfer support member

18

travels adjacent the first path as the at least one elongated product is released from the releasing end portion of the elongated arm; and

suspending at least one length of released elongated product on the transfer support member in response to the translating step so that the elongated product is arranged in a straddled configuration with at least one of: (a) a plurality of adjacently arranged non-looped lengths hanging on the one side of the transfer support member and a plurality of different adjacent non-looped lengths hanging on the opposing side of the transfer support member so that the elongated product has a plurality of suspension contact points spaced apart about a desired length of the transfer support member; and/or (b) a plurality of non-looped spaced apart discrete lengths draped over the transfer support member.

4. A method according to claim 3, wherein said step of moving is carried out by pivoting the arm about a primary pivot point that is positioned a distance away from the receiving end portion thereof.

5. A method according to claim 4, wherein said step of directing is carried out by conveying the elongated product forward on the elongated arm.

6. A method according to claim 3, wherein said step of directing is carried out by the forward momentum of the elongated product.

7. A method according to claim 3, wherein the first path is a closed path.

8. A method according to claim 3, wherein the second path elevationally extends about level with or below a lowermost portion of the perimeter of the first path.

9. A method according to claim 8, wherein the first path is an open path.

10. A method according to claim 3, wherein the elongated product is an extruded product held in a casing.

11. A method according to claim 3, wherein the elongated product is a stuffed product held in a casing.

12. A method according to claim 3, wherein the elongated product is a meat product.

13. A method according to claim 10, wherein the elongated product is a continuous length of portioned or linked meat.

14. A method according to claim 10, wherein the elongated product is a continuous length of non-chain linked meat.

15. A method according to claim 3, wherein the elongated product is a non-cased food product.

16. A method according to claim 3, wherein the releasing end portion includes an end guide with a receiving aperture formed therein, and wherein the directing step comprises directing the elongated product to travel through the aperture during the moving step.

17. A method according to claim 3, wherein the suspended straddled arrangement of the elongated product on the transfer support member is such that, in serial order, a first continuous length of product is arranged so that a first vertical length of the elongated product extends about one side of the transfer support member, a second vertical length extends over the opposing second side of the transfer support member after the first length, a first suspension portion is located intermediate the first and second lengths, a third adjacent length laterally extends along the second side of the transfer support member after the second length, a fourth vertical adjacent length extends along the second side of the transfer support member after the third length, a fifth vertical adjacent length extends along the first side of

**19**

the transfer support member after the fourth length, a second suspension portion is located intermediate the fourth and fifth lengths, and a sixth adjacent length laterally extends along the first side of the transfer support member after the fifth length.

**18.** A method according to claim **17**, wherein the first, second, fourth and fifth vertical lengths are substantially the same.

**19.** A method according to claim **17**, wherein at least one of the first, second, fourth and fifth vertical lengths is different.

**20.** A method according to claim **17**, wherein the suspended straddled arrangement provided by the first through sixth lengths is repeated with a second continuous length of the same or a different elongated product on the same transport support member.

**20**

**21.** A method according to claim **17**, wherein the suspended straddled arrangement provided by the first through sixth lengths is repeated with a second continuous length of the same or a different elongated product on a different transport support member.

**22.** A carrier assembly loaded according to the method of claim **3**, to have the elongate product suspended on the transfer support member in a straddled configuration draped from the transfer support member, in which sections of the elongated product form: (a) bights, with serially consecutive bights being formed on opposite sides of the transfer support member; and/or (b) discrete non-looped spaced apart suspended lengths.

**23.** A loaded carrier assembly according to claim **22**, wherein the elongated product is an elongated meat product.

\* \* \* \* \*